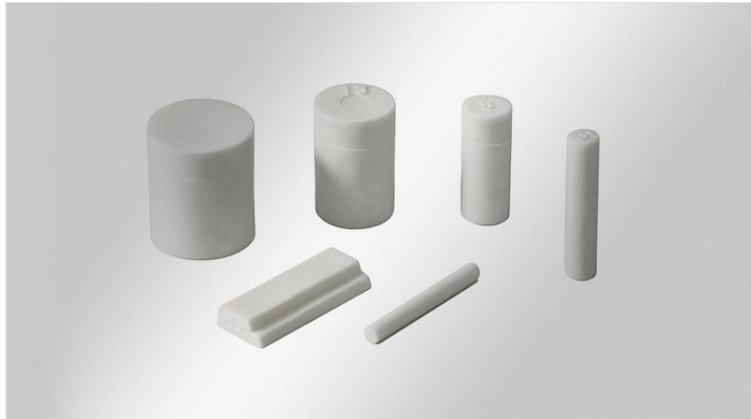


ST plugs for cable grommets

of the KT and QT series, diameters 1 - 17 mm



Plugs are used to close either KT or QT grommets which are not equipped with cables. IP ratings of the grommets remain.

Perfect for applications where cables have been removed or might be routed at a later stage.

Specifications

UL Type (UL 50E)	UL Type 12
Material	Polyamide
Flame class	UL94-V0, self-extinguishing
Operating temperature	-40 C° to 120 C°
Properties	silicone free, halogen free

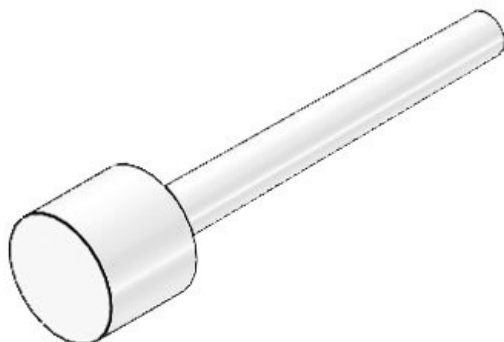
Advantages & Benefits

- Sealing unused cable grommets

Product types & Sizes

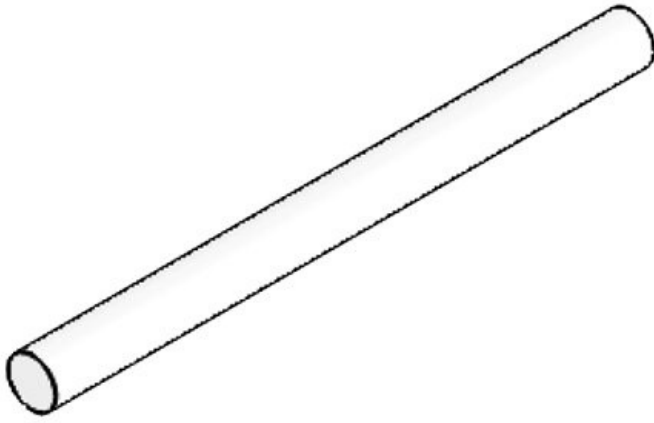
ST 1

Part No.	42900
EAN	4251269318337
Package quantity	25
Color	white
Length	25 mm
Diameter D1	1 mm



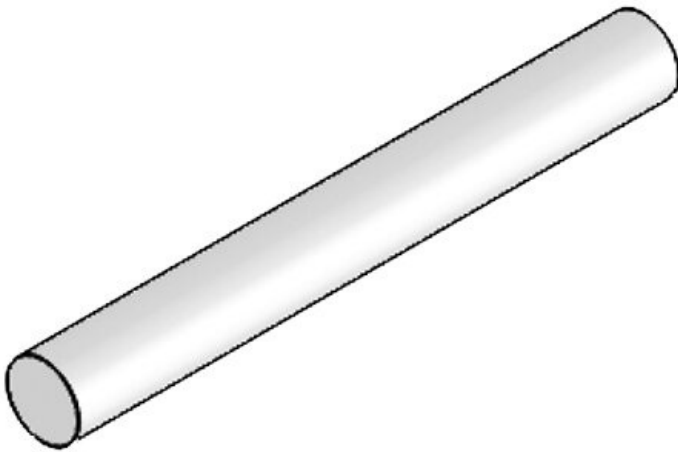
ST 2

Part No. **42909**
EAN **4251269309**
359
Package quantity **25**
Color **white**
Length **25 mm**
Diameter D1 **2 mm**



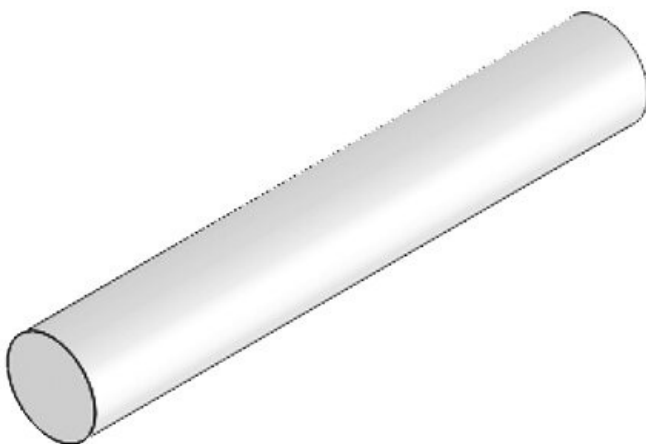
ST 3

Part No. **42901**
EAN **4251269309**
304
Package quantity **25**
Color **white**
Length **25 mm**
Diameter D1 **3 mm**

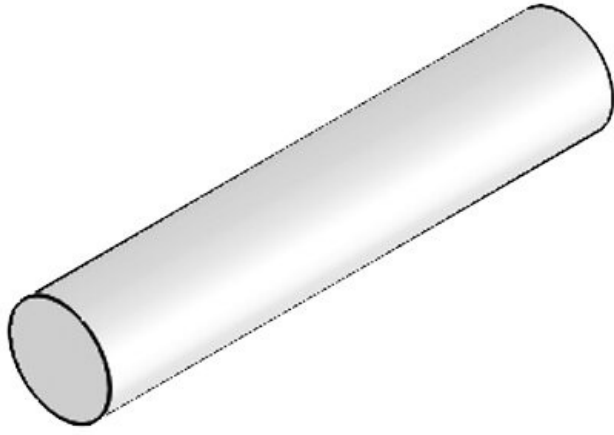


ST 4

Part No. **42908**
EAN **4251269309**
342
Package quantity **25**
Color **white**
Length **25 mm**
Diameter D1 **4 mm**

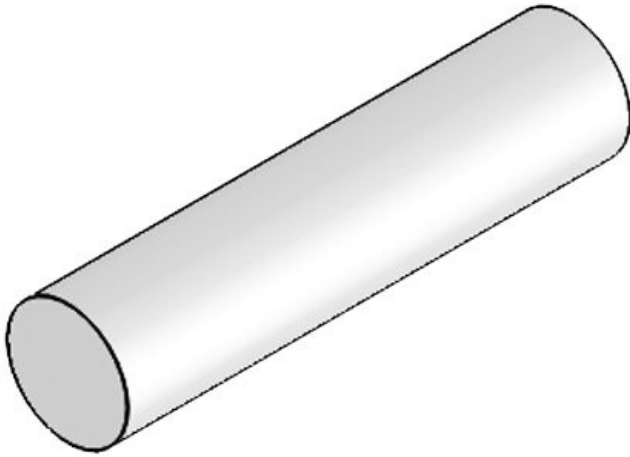


ST 5



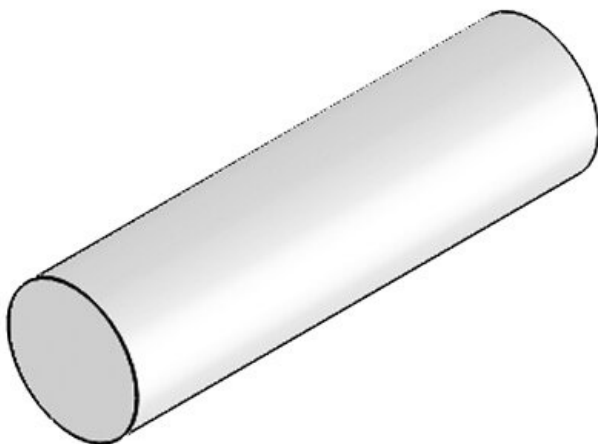
Part No. **42906**
EAN **4251269309**
335
Package quantity **25**
Color **white**
Length **25 mm**
Diameter D1 **5 mm**

ST 6



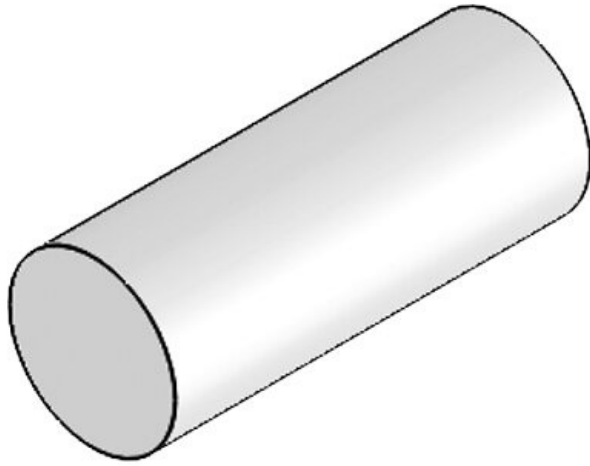
Part No. **42903**
EAN **4251269309**
311
Package quantity **25**
Color **white**
Length **25 mm**
Diameter D1 **6 mm**

ST 7



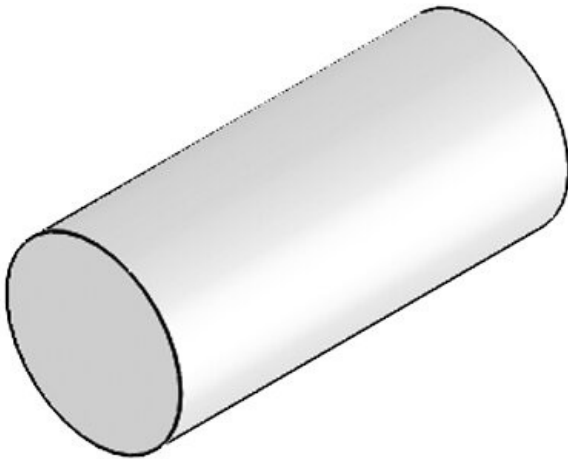
Part No. **42905**
EAN **4251269309**
328
Package quantity **25**
Color **white**
Length **25 mm**
Diameter D1 **7 mm**

ST 8



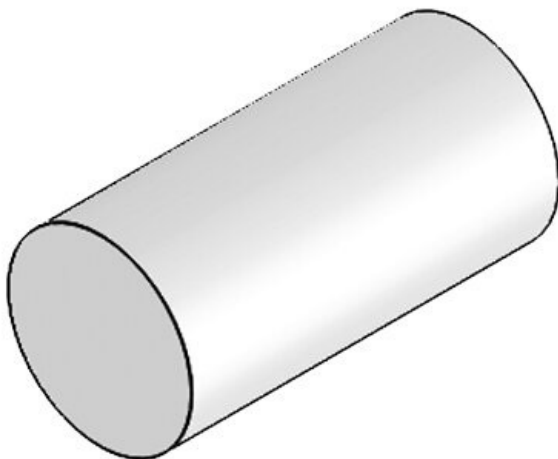
Part No. **42899**
EAN **4251269309**
298
Package quantity **25**
Color **white**
Length **20 mm**
Diameter D1 **8 mm**

ST 9



Part No. **42897**
EAN **4251269309**
281
Package quantity **25**
Color **white**
Length **20 mm**
Diameter D1 **9 mm**

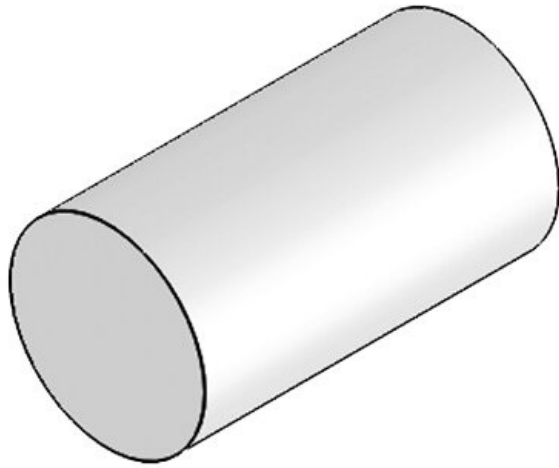
ST 10



Part No. **42895**
EAN **4251269309**
274
Package quantity **25**
Color **white**
Length **20 mm**
Diameter D1 **10 mm**

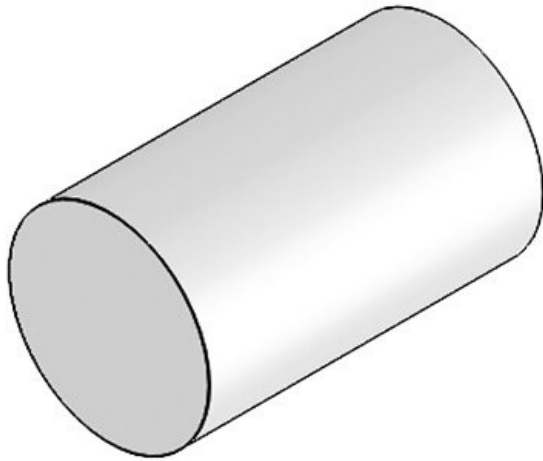
ST 11

Part No. **42893**
EAN **4251269309**
267
Package quantity **25**
Color **white**
Length **20 mm**
Diameter D1 **11 mm**



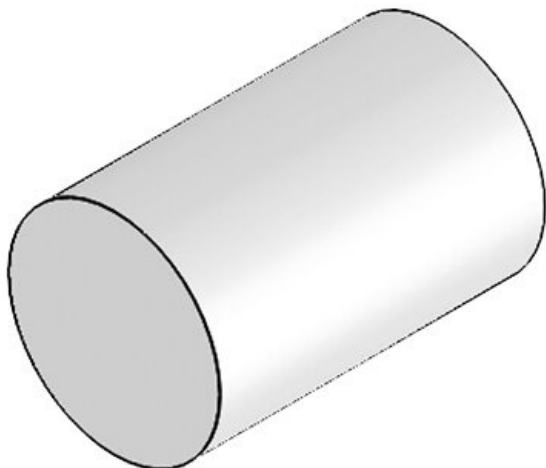
ST 12

Part No. **42891**
EAN **4251269309**
250
Package quantity **25**
Color **white**
Length **20 mm**
Diameter D1 **12 mm**



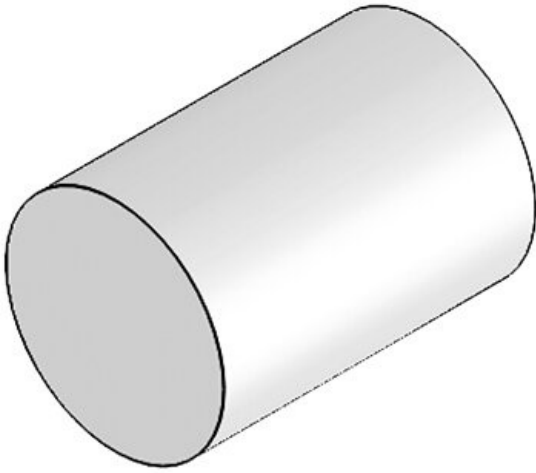
ST 13

Part No. **42889**
EAN **4251269309**
243
Package quantity **25**
Color **white**
Length **20 mm**
Diameter D1 **13 mm**



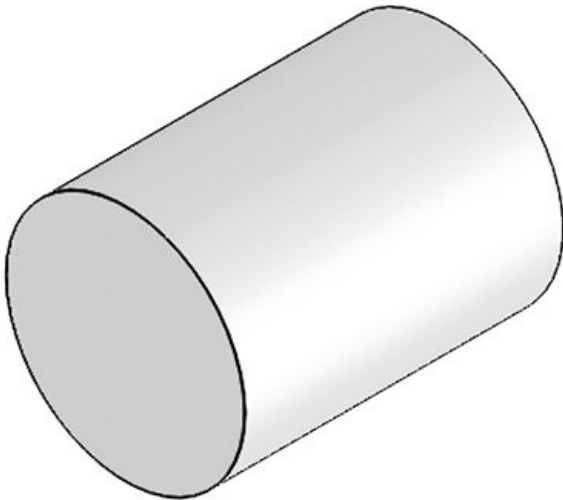
ST 14

Part No. **42887**
EAN **4251269309**
236
Package quantity **25**
Color **white**
Length **20 mm**
Diameter D1 **14 mm**



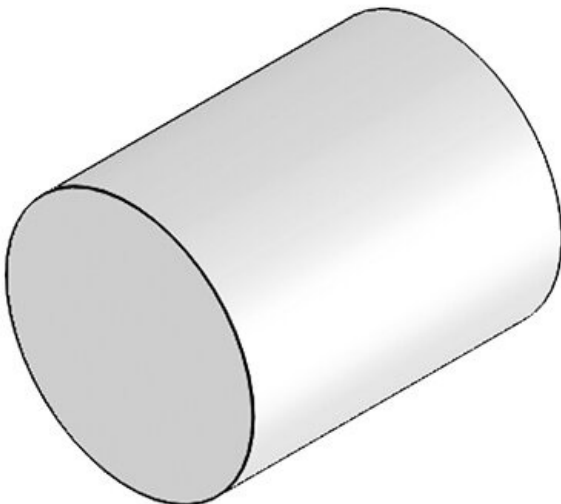
ST 15

Part No. **42885**
EAN **4251269309**
229
Package quantity **25**
Color **white**
Length **20 mm**
Diameter D1 **15 mm**

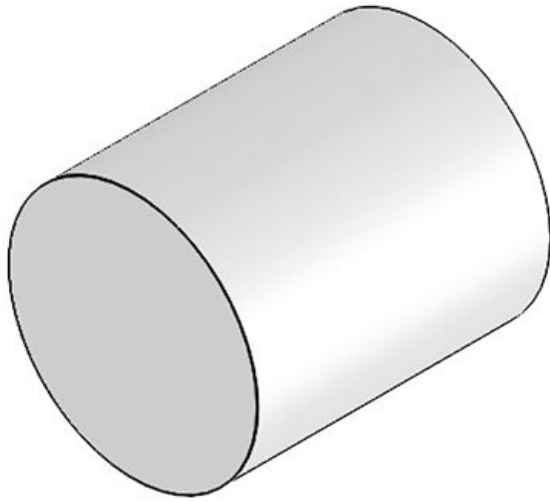


ST 16

Part No. **42883**
EAN **4251269309**
212
Package quantity **25**
Color **white**
Length **20 mm**
Diameter D1 **16 mm**



ST 17



Part No. **42881**
EAN **4251269309**
205
Package quantity **25**
Color **white**
Length **20 mm**
Diameter D1 **17 mm**

ST-ASI



Part No. **42877**
EAN **4251269309**
199
Package quantity **25**
Color **white**
Length **25 mm**