

# KGM | GMT | Hexagonal locknuts

for split cable glands, with threads M16 - M85



KGM are hexagonal locknuts with metric threads M16 - M85 for attaching components together.

For routing SUB-D, DVI or PROFIBUS connectors in combination with the [split cable glands KVT / QVT](#), special locknuts with suitable cut-outs are required:

- KGM-SUB-D9 fits D-Sub 9 connectors (Required wall cut-out:  $\varnothing$  36 mm)
- KGM-PB fits DVI and PROFIBUS connectors (Required wall cut-out:  $\varnothing$  42 mm)
- KGM-SUB-D25 fits SUB-D25 connectors (Required wall cut-out:  $\varnothing$  50 - 54 mm)

Split hexagonal locknuts GMT for use in combination with split cable glands KVT/QVT whenever pre-terminated cables are routed inside cable protection conduits through a machine or cabinet wall. Suitable for [split corrugated conduits CONFIX WST](#).



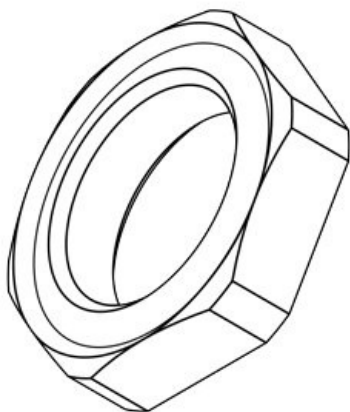
## Specifications

Flame class	UL94-V0, self-extinguishing
Operating temperature	-30 C° to 120 C°
Properties	silicone free, halogen free

## Advantages & Benefits

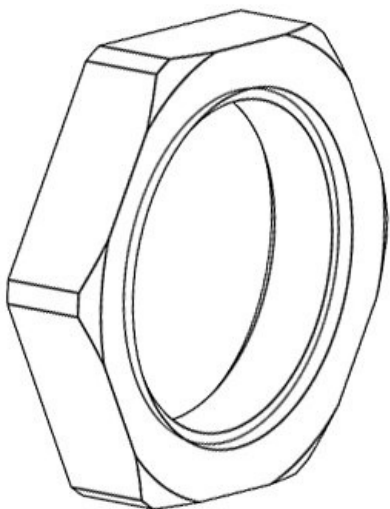
## Product types & Sizes

KGM 16 gy



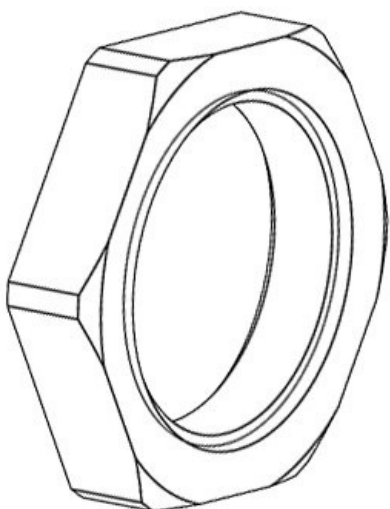
Part No.	<b>52272</b>	Thread	<b>M16 × 1,5</b>
EAN	<b>4251269315459</b>		
Package quantity	<b>10</b>		
Color	<b>gray (similar RAL 7035)</b>		
Height	<b>4,3 mm</b>		
External diameter	<b>24,5 mm</b>		
Wrench size	<b>SW 22.8</b>		

**KGM 20 gy**



Part No. **52273**  
EAN **4251269315**  
**466**  
Package quantity **10**  
Color **gray (similar RAL 7035)**  
Height **7 mm**  
Wrench size **SW 26**  
Thread **M20 × 1,5**

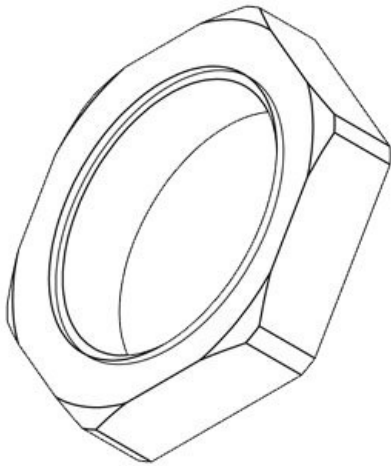
**KGM 20 bk**



Part No. **52283**  
EAN **4251269315**  
**527**  
Package quantity **10**  
Color **black**  
Height **7 mm**  
Wrench size **SW 26**  
Thread **M20 × 1,5**

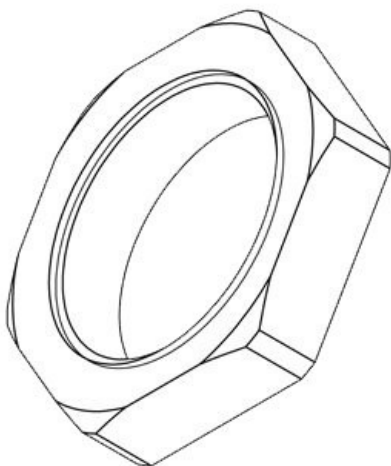
**KGM 25 gy**

Part No. **52274**  
EAN **4251269315**  
**473**  
Package quantity **10**  
Color **gray (similar RAL 7035)**  
Height **7 mm**  
Wrench size **SW 32**  
Thread **M25 × 1,5**

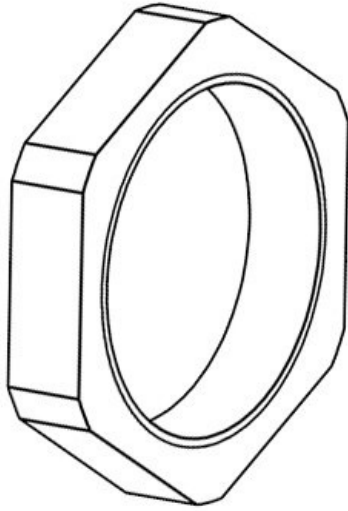


**KGM 25 bk**

Part No. **52284**  
EAN **4251269315**  
**534**  
Package quantity **10**  
Color **black**  
Height **7 mm**  
Wrench size **SW 32**  
Thread **M25 × 1,5**

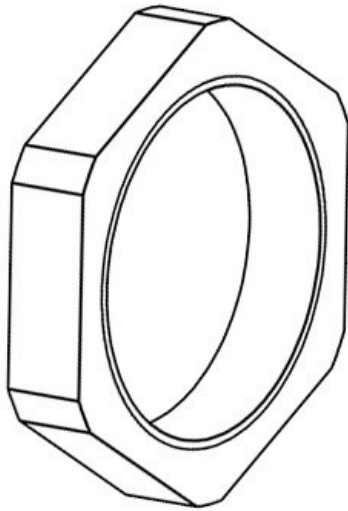


KGM 32 gy



Part No. **52275**  
EAN **4251269315**  
**480**  
Package quantity **10**  
Color **gray (similar RAL 7035)**  
Height **7 mm**  
Wrench size **SW 41**  
Thread **M32 × 1,5**

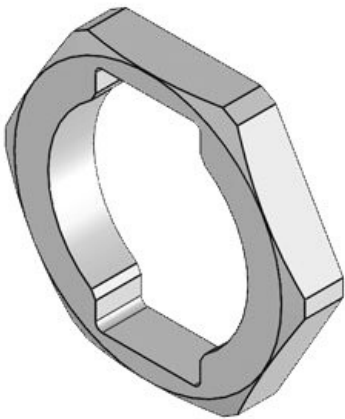
KGM 32 bk



Part No. **52285**  
EAN **4251269315**  
**541**  
Package quantity **10**  
Color **black**  
Height **7 mm**  
Wrench size **SW 41**  
Thread **M32 × 1,5**

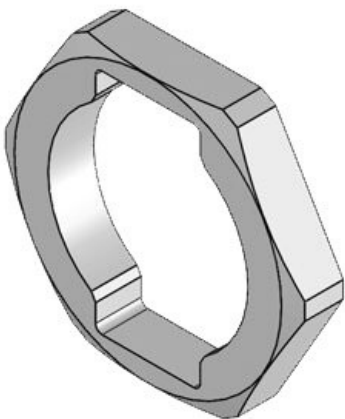
**KGM-SUB-D9 gy**

Part No. **45105**  
EAN **4251269311185**  
Package quantity **10**  
Color **gray (similar RAL 7035)**  
Height **7 mm**  
Wrench size **SW 41**  
Thread **M32 x 1,5**

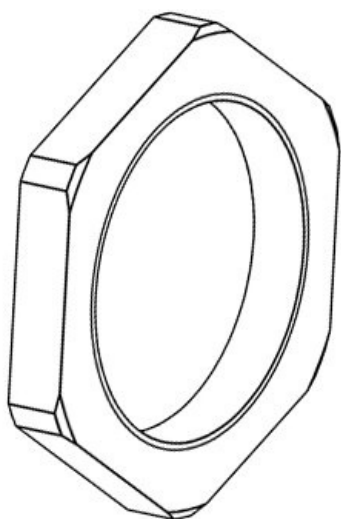


**KGM-SUB-D9 bk**

Part No. **45106**  
EAN **4251269311192**  
Package quantity **10**  
Color **black**  
Height **7 mm**  
Wrench size **SW 41**  
Thread **M32 x 1,5**

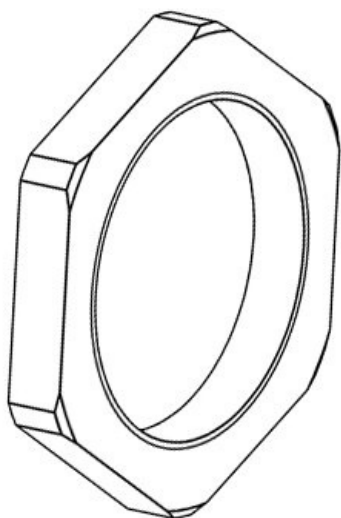


KGM 40 gy



Part No. **52276**  
EAN **4251269315**  
**497**  
Package quantity **10**  
Color **gray (similar RAL 7035)**  
Height **7 mm**  
Wrench size **SW 50**  
Thread **M40 × 1,5**

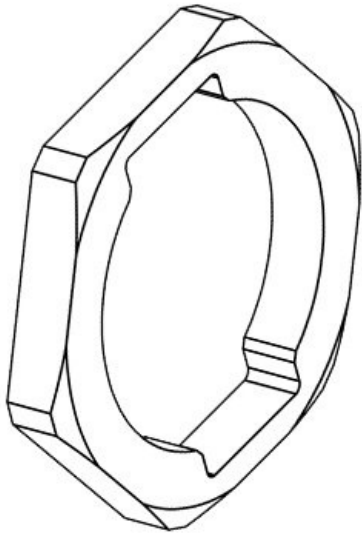
KGM 40 bk



Part No. **52286**  
EAN **4251269315**  
**558**  
Package quantity **10**  
Color **black**  
Height **7 mm**  
Wrench size **SW 50**  
Thread **M40 × 1,5**

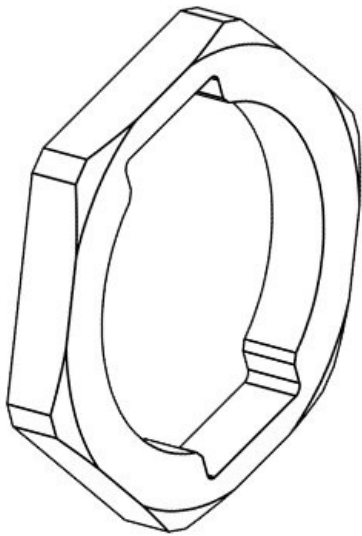
KGM-PB gy

Part No. **45107**  
EAN **4251269311**  
**208**  
Package quantity **10**  
Color **gray (similar RAL 7035)**  
Height **8 mm**  
Wrench size **SW 50**  
Thread **M40 × 1,5**

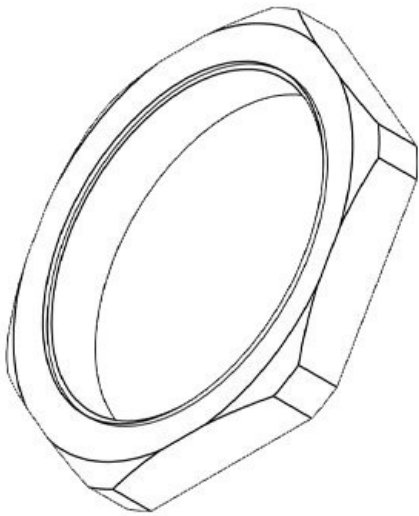


KGM-PB bk

Part No. **45109**  
EAN **4251269311**  
**222**  
Package quantity **10**  
Color **black**  
Height **8 mm**  
Wrench size **SW 50**  
Thread **M40 × 1,5**

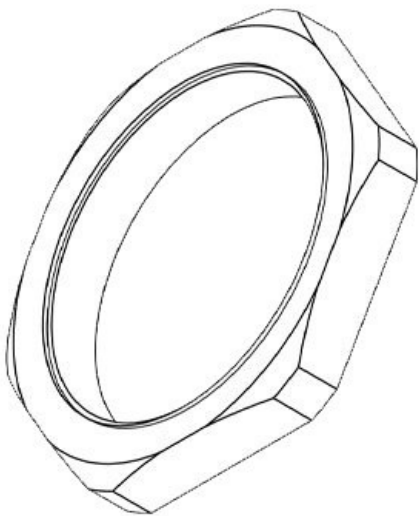


**KGM 50 gy**



Part No. **52277**  
EAN **4251269315**  
**503**  
Package quantity **10**  
Color **gray (similar RAL 7035)**  
Height **8,5 mm**  
Wrench size **SW 60**  
Thread **M50 × 1,5**

**KGM 50 bk**



Part No. **52287**  
EAN **4251269315**  
**565**  
Package quantity **10**  
Color **black**  
Height **8,5 mm**  
Wrench size **SW 60**  
Thread **M50 × 1,5**



**KGM-SUB-D25 gy**

Part No. **45108**  
EAN **4251269311**  
**215**  
Package quantity **10**  
Color **gray (similar RAL 7035)**  
Height **8 mm**  
Wrench size **SW 60**  
Thread **M50 × 1,5**

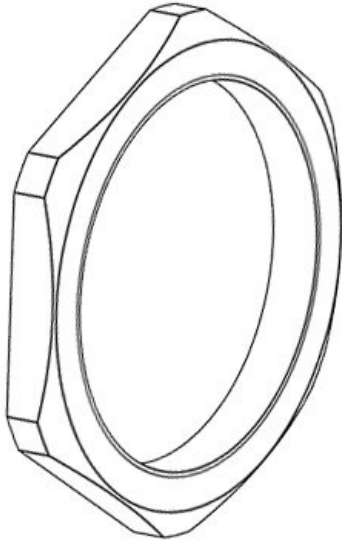


**KGM-SUB-D25 bk**

Part No. **45110**  
EAN **4251269311**  
**239**  
Package quantity **10**  
Color **black**  
Height **8 mm**  
Wrench size **SW 60**  
Thread **M50 × 1,5**

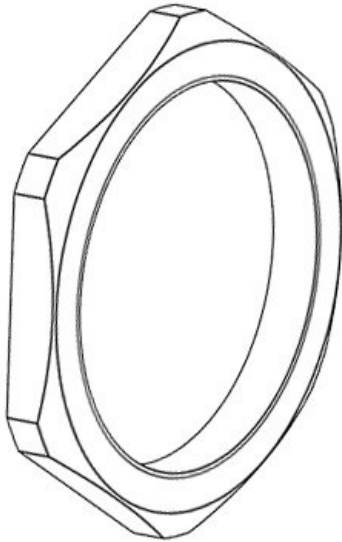


KGM 63 gy



Part No. **52278**  
EAN **4251269315**  
**510**  
Package quantity **5**  
Color **gray (similar RAL 7035)**  
Height **8,5 mm**  
Wrench size **SW 75**  
Thread **M63 × 1,5**

KGM 63 bk



Part No. **52288**  
EAN **4251269315**  
**572**  
Package quantity **5**  
Color **black**  
Height **8,5 mm**  
Wrench size **SW 75**  
Thread **M63 × 1,5**

KGM 75 bk



Part No. **52289**  
EAN **4251269316999**  
Package quantity **10**  
Color **black**  
Height **8,5 mm**  
Wrench size **SW 85**  
Thread **M75 x 1,5**

KGM 85 bk



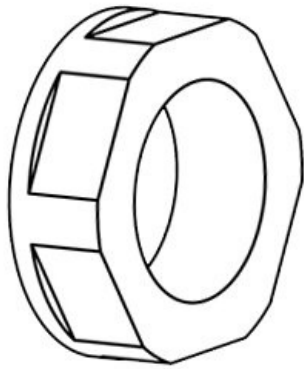
Part No. **52290**  
EAN **4251269317002**  
Package quantity **10**  
Color **black**  
Height **10 mm**  
Wrench size **SW 100**

GMT 16



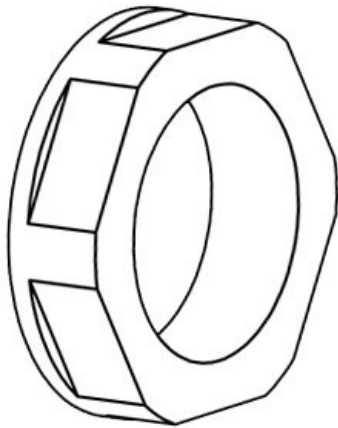
Part No. **31105**  
EAN **4251269300011**  
Package quantity **10**  
Height **8 mm**  
Wrench size **SW 19**  
Thread **M16 x 1,5**

GMT 20



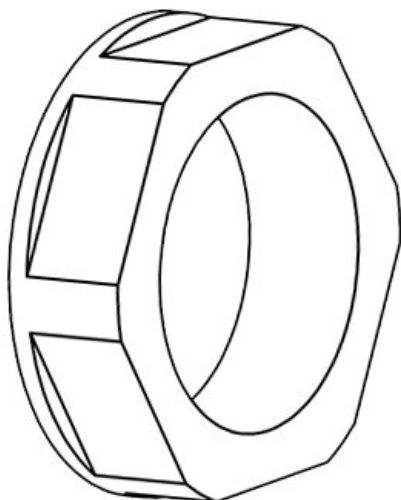
Part No. **31110**  
EAN **4251269300028**  
Package quantity **10**  
Height **9 mm**  
Wrench size **SW 27**  
Thread **M20 x 1,5**

GMT 25



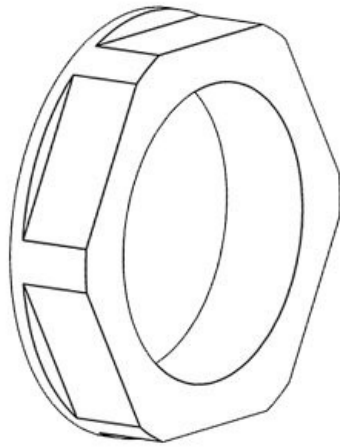
Part No. **31100**  
EAN **4251269300004**  
Package quantity **10**  
Height **9 mm**  
Wrench size **SW 32**  
Thread **M25 x 1,5**

GMT 32



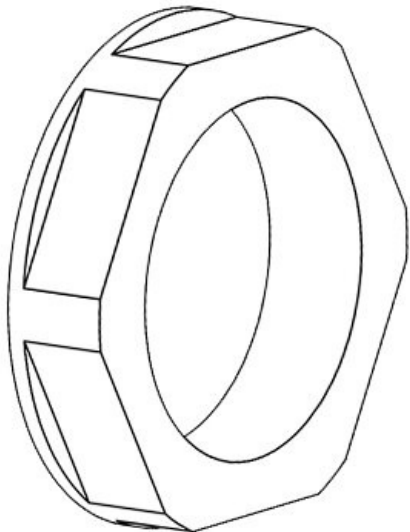
Part No. **31120**  
EAN **4251269300035**  
Package quantity **10**  
Height **12 mm**  
Wrench size **SW 40**  
Thread **M32 x 1,5**

GMT 40



Part No. **31130**  
EAN **4251269300**  
**042**  
Package quantity **10**  
Height **15 mm**  
Wrench size **SW 48**  
Thread **M40 × 1,5**

GMT 50



Part No. **31140**  
EAN **4251269300**  
**059**  
Package quantity **10**  
Height **15 mm**  
Wrench size **SW 63**  
Thread **M50 × 1,5**