

KGM | GMT | Hexagonal locknuts

for split cable glands, with threads M16 - M85



KGM are hexagonal locknuts with metric threads M16 - M85 for attaching components together.

For routing SUB-D, DVI or PROFIBUS connectors in combination with the [split cable glands KVT / QVT](#), special locknuts with suitable cut-outs are required:

- KGM-SUB-D9 fits D-Sub 9 connectors (Required wall cut-out: \varnothing 36 mm)
- KGM-PB fits DVI and PROFIBUS connectors (Required wall cut-out: \varnothing 42 mm)
- KGM-SUB-D25 fits SUB-D25 connectors (Required wall cut-out: \varnothing 50 - 54 mm)

Split hexagonal locknuts GMT for use in combination with split cable glands KVT/QVT whenever pre-terminated cables are routed inside cable protection conduits through a machine or cabinet wall. Suitable for [split corrugated conduits CONFIX WST](#).

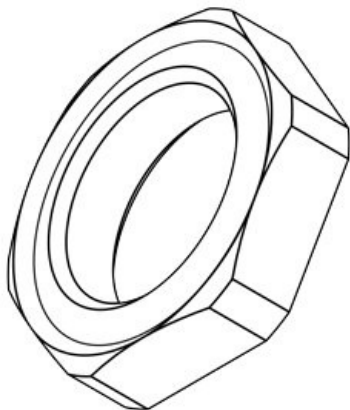
Specifications

Flame class	UL94-V0, self-extinguishing
Operating temperature	-30 C° to 120 C°
Properties	silicone free, halogen free

Advantages & benefits

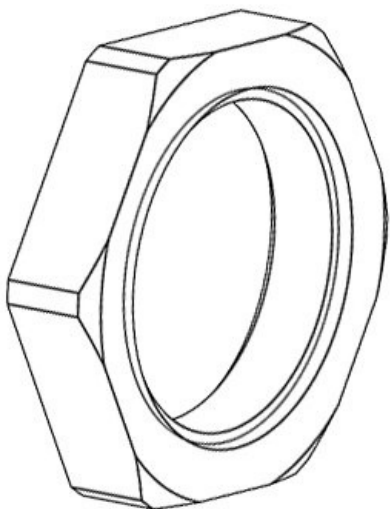
Product types & sizes

KGM 16 gy



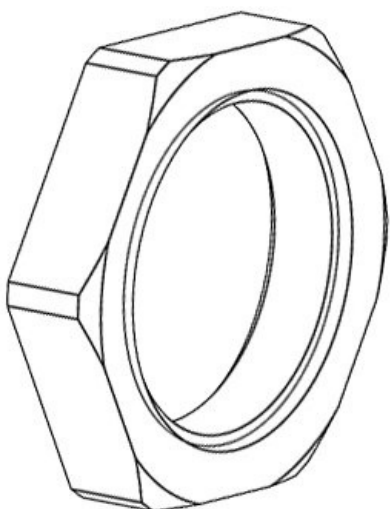
Part No.	52272	Thread	M16 × 1,5
EAN	4251269315459		
Package quantity	10		
Colour	grey (similar RAL 7035)		
Height	4,3 mm		
External diameter	24,5 mm		
Wrench size	SW 22.8		

KGM 20 gy



Part No. **52273**
EAN **4251269315466**
Package quantity **10**
Colour **grey (similar RAL 7035)**
Height **7 mm**
Wrench size **SW 26**
Thread **M20 × 1,5**

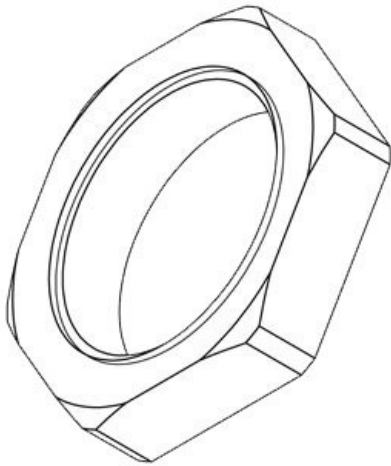
KGM 20 bk



Part No. **52283**
EAN **4251269315527**
Package quantity **10**
Colour **black**
Height **7 mm**
Wrench size **SW 26**
Thread **M20 × 1,5**

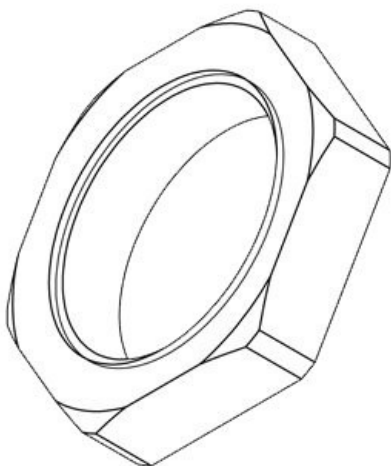
KGM 25 gy

Part No. **52274**
EAN **4251269315**
473
Package quantity **10**
Colour **grey (similar RAL 7035)**
Height **7 mm**
Wrench size **SW 32**
Thread **M25 x 1,5**

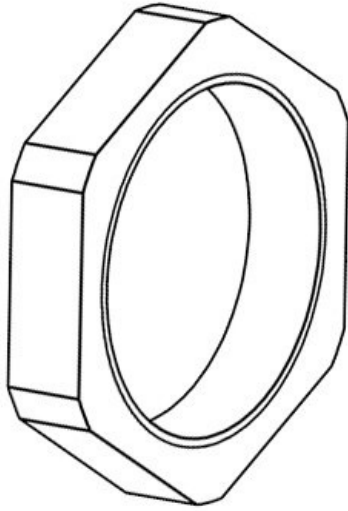


KGM 25 bk

Part No. **52284**
EAN **4251269315**
534
Package quantity **10**
Colour **black**
Height **7 mm**
Wrench size **SW 32**
Thread **M25 x 1,5**

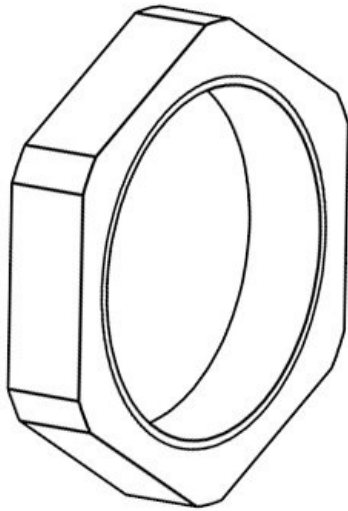


KGM 32 gy



Part No. **52275**
EAN **4251269315**
480
Package quantity **10**
Colour **grey (similar RAL 7035)**
Height **7 mm**
Wrench size **SW 41**
Thread **M32 x 1,5**

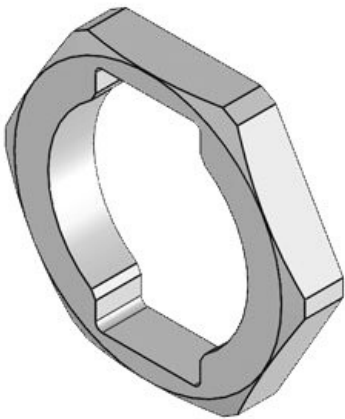
KGM 32 bk



Part No. **52285**
EAN **4251269315**
541
Package quantity **10**
Colour **black**
Height **7 mm**
Wrench size **SW 41**
Thread **M32 x 1,5**

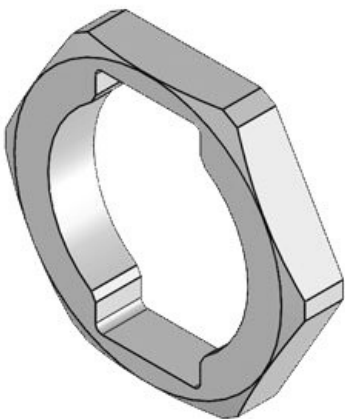
KGM-SUB-D9 gy

Part No. **45105**
EAN **4251269311185**
Package quantity **10**
Colour **grey (similar RAL 7035)**
Height **7 mm**
Wrench size **SW 41**
Thread **M32 x 1,5**

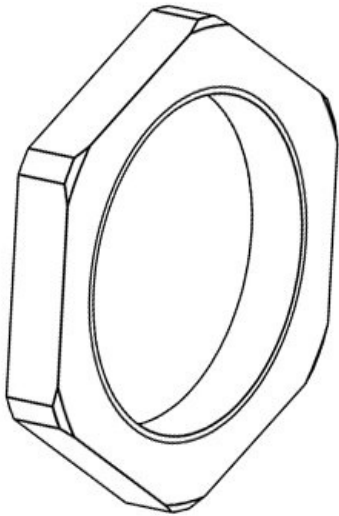


KGM-SUB-D9 bk

Part No. **45106**
EAN **4251269311192**
Package quantity **10**
Colour **black**
Height **7 mm**
Wrench size **SW 41**
Thread **M32 x 1,5**

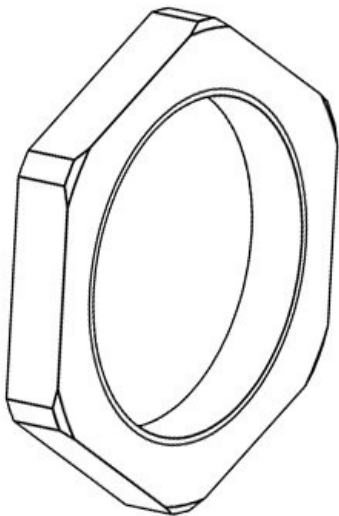


KGM 40 gy



Part No. **52276**
EAN **4251269315**
497
Package quantity **10**
Colour **grey (similar RAL 7035)**
Height **7 mm**
Wrench size **SW 50**
Thread **M40 × 1,5**

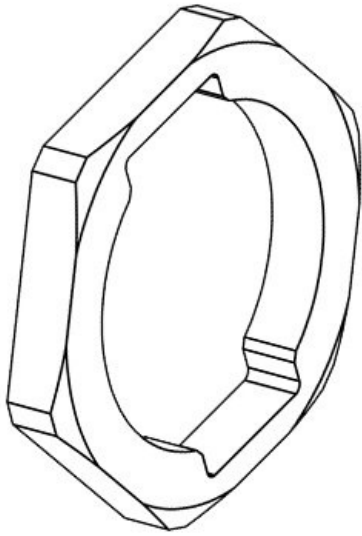
KGM 40 bk



Part No. **52286**
EAN **4251269315**
558
Package quantity **10**
Colour **black**
Height **7 mm**
Wrench size **SW 50**
Thread **M40 × 1,5**

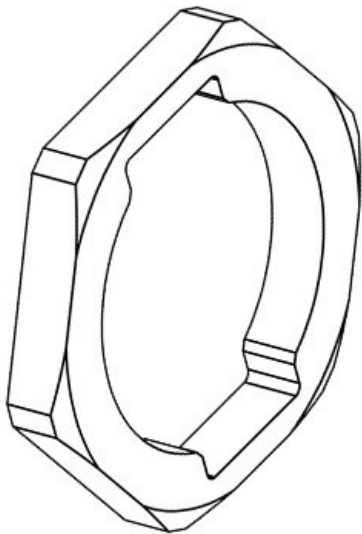
KGM-PB gy

Part No. **45107**
EAN **4251269311**
208
Package quantity **10**
Colour **grey (similar RAL 7035)**
Height **8 mm**
Wrench size **SW 50**
Thread **M40 × 1,5**

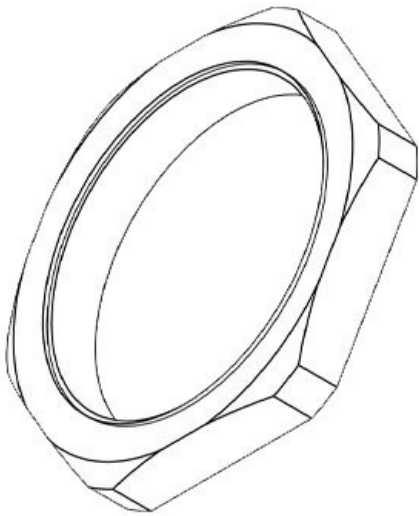


KGM-PB bk

Part No. **45109**
EAN **4251269311**
222
Package quantity **10**
Colour **black**
Height **8 mm**
Wrench size **SW 50**
Thread **M40 × 1,5**

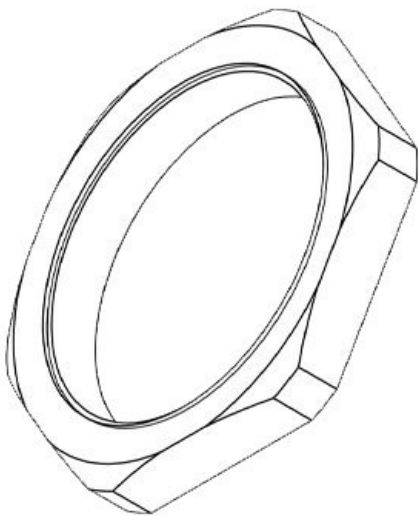


KGM 50 gy



Part No. **52277**
EAN **4251269315**
503
Package quantity **10**
Colour **grey (similar RAL 7035)**
Height **8,5 mm**
Wrench size **SW 60**
Thread **M50 × 1,5**

KGM 50 bk



Part No. **52287**
EAN **4251269315**
565
Package quantity **10**
Colour **black**
Height **8,5 mm**
Wrench size **SW 60**
Thread **M50 × 1,5**

KGM-SUB-D25 gy

Part No. **45108**
EAN **4251269311**
215
Package quantity **10**
Colour **grey (similar RAL 7035)**
Height **8 mm**
Wrench size **SW 60**
Thread **M50 x 1,5**

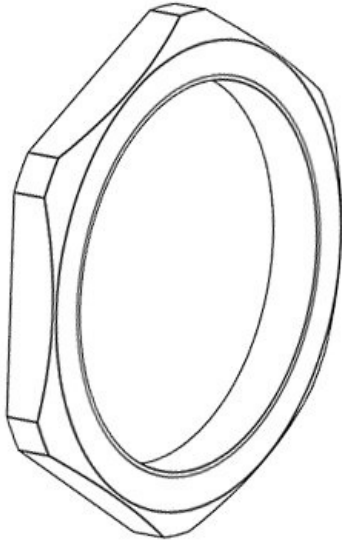


KGM-SUB-D25 bk

Part No. **45110**
EAN **4251269311**
239
Package quantity **10**
Colour **black**
Height **8 mm**
Wrench size **SW 60**
Thread **M50 x 1,5**

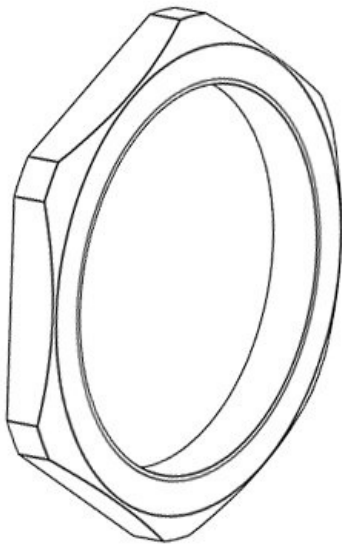


KGM 63 gy



Part No. **52278**
EAN **4251269315**
510
Package quantity **5**
Colour **grey (similar RAL 7035)**
Height **8,5 mm**
Wrench size **SW 75**
Thread **M63 × 1,5**

KGM 63 bk



Part No. **52288**
EAN **4251269315**
572
Package quantity **5**
Colour **black**
Height **8,5 mm**
Wrench size **SW 75**
Thread **M63 × 1,5**

KGM 75 bk



Part No. **52289**
EAN **4251269316999**
Package quantity **10**
Colour **black**
Height **8,5 mm**
Wrench size **SW 85**
Thread **M75 x 1,5**

KGM 85 bk



Part No. **52290**
EAN **4251269317002**
Package quantity **10**
Colour **black**
Height **10 mm**
Wrench size **SW 100**

GMT 16



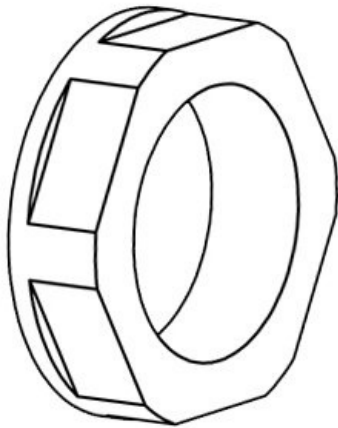
Part No. **31105**
EAN **4251269300011**
Package quantity **10**
Height **8 mm**
Wrench size **SW 19**
Thread **M16 x 1,5**

GMT 20



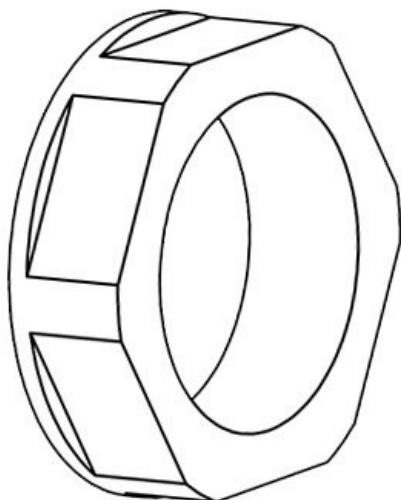
Part No. **31110**
EAN **4251269300028**
Package quantity **10**
Height **9 mm**
Wrench size **SW 27**
Thread **M20 × 1,5**

GMT 25



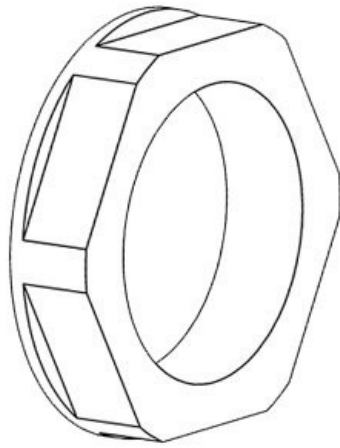
Part No. **31100**
EAN **4251269300004**
Package quantity **10**
Height **9 mm**
Wrench size **SW 32**
Thread **M25 × 1,5**

GMT 32



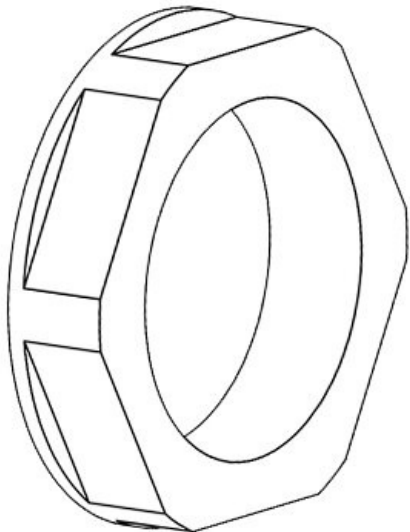
Part No. **31120**
EAN **4251269300035**
Package quantity **10**
Height **12 mm**
Wrench size **SW 40**
Thread **M32 × 1,5**

GMT 40



Part No. **31130**
EAN **4251269300**
042
Package quantity **10**
Height **15 mm**
Wrench size **SW 48**
Thread **M40 × 1,5**

GMT 50



Part No. **31140**
EAN **4251269300**
059
Package quantity **10**
Height **15 mm**
Wrench size **SW 63**
Thread **M50 × 1,5**