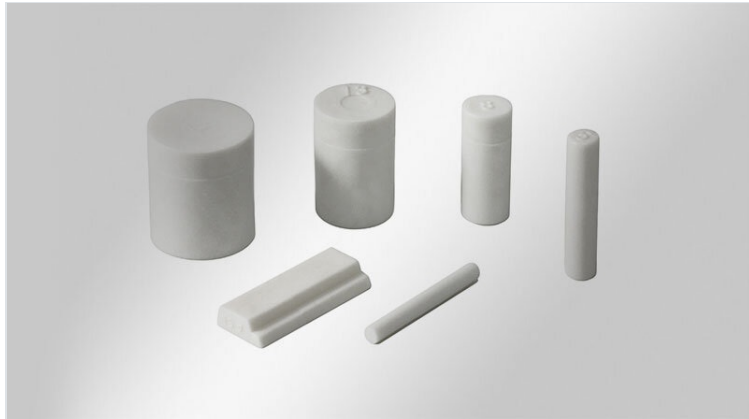


# ST plugs for cable grommets

of the KT and QT series, diameters 1 - 17 mm



Plugs are used to close either KT or QT grommets which are not equipped with cables. IP ratings of the grommets remain.

Perfect for applications where cables have been removed or might be routed at a later stage.

## Specifications

<b>UL Type (UL 50E)</b>	UL Type 12
<b>Material</b>	Polyamide
<b>Flame class</b>	UL94-V0, self-extinguishing
<b>Operating temperature</b>	-40 C° to 120 C°
<b>Properties</b>	silicone free, halogen free

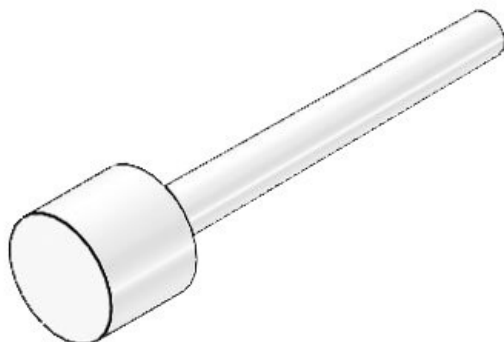
## Advantages & benefits

- Sealing unused cable grommets

## Product types & sizes

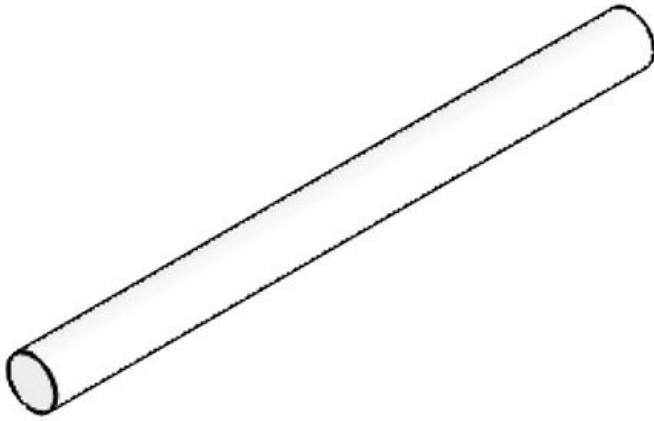
ST 1

Part No.	<b>42900</b>
EAN	<b>4251269318</b>
	<b>337</b>
Package quantity	<b>25</b>
Colour	<b>white</b>
Length	<b>25 mm</b>
Diameter D1	<b>1 mm</b>



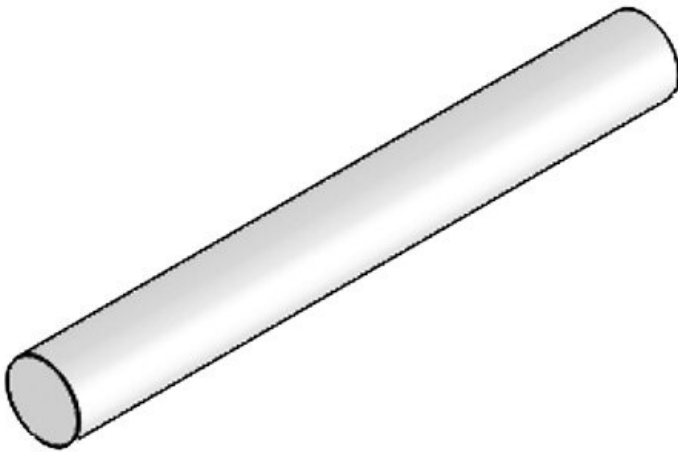
ST 2

Part No. **42909**  
EAN **4251269309**  
**359**  
Package quantity **25**  
Colour **white**  
Length **25 mm**  
Diameter D1 **2 mm**



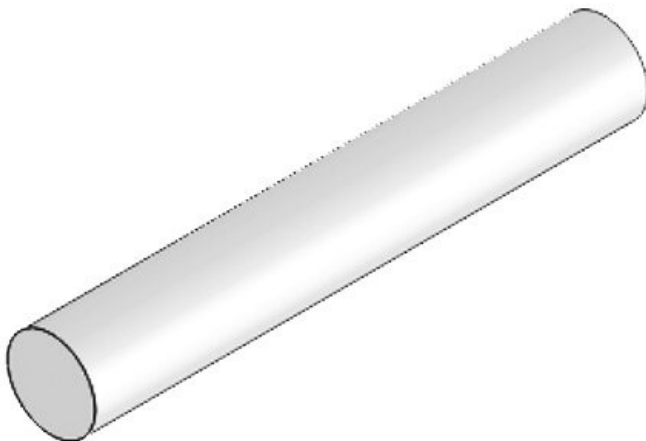
ST 3

Part No. **42901**  
EAN **4251269309**  
**304**  
Package quantity **25**  
Colour **white**  
Length **25 mm**  
Diameter D1 **3 mm**

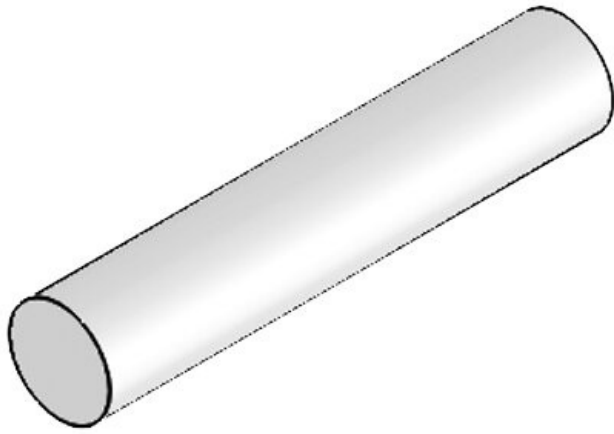


ST 4

Part No. **42908**  
EAN **4251269309**  
**342**  
Package quantity **25**  
Colour **white**  
Length **25 mm**  
Diameter D1 **4 mm**

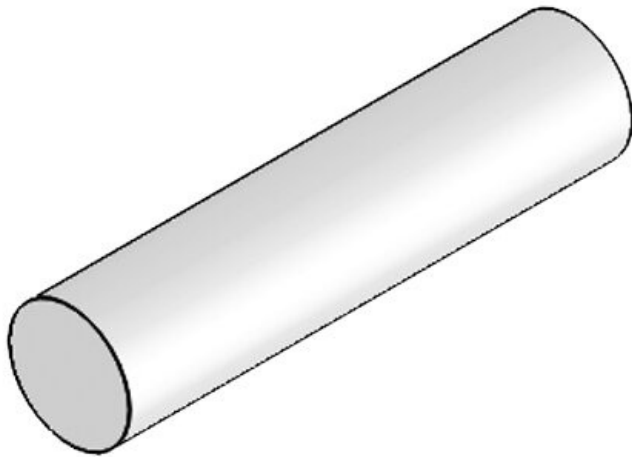


ST 5



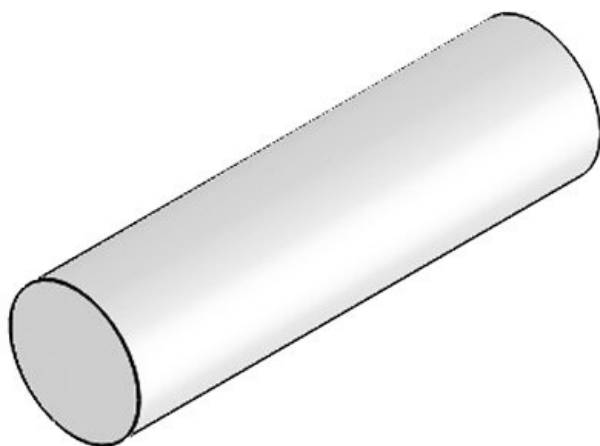
Part No. **42906**  
EAN **4251269309**  
**335**  
Package quantity **25**  
Colour **white**  
Length **25 mm**  
Diameter D1 **5 mm**

ST 6



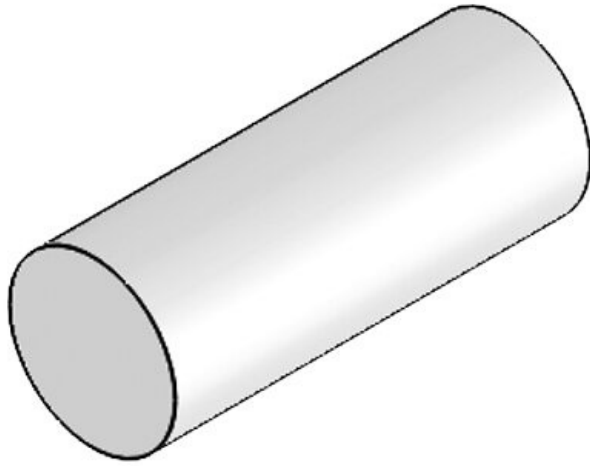
Part No. **42903**  
EAN **4251269309**  
**311**  
Package quantity **25**  
Colour **white**  
Length **25 mm**  
Diameter D1 **6 mm**

ST 7



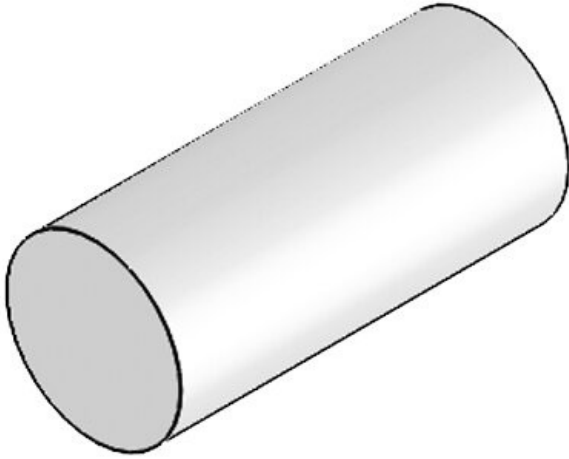
Part No. **42905**  
EAN **4251269309**  
**328**  
Package quantity **25**  
Colour **white**  
Length **25 mm**  
Diameter D1 **7 mm**

ST 8



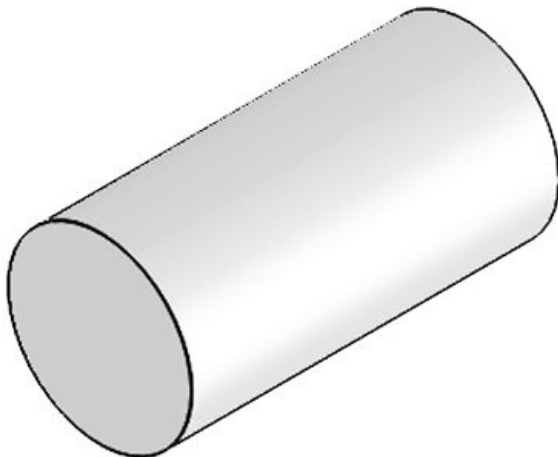
Part No. **42899**  
EAN **4251269309**  
**298**  
Package quantity **25**  
Colour **white**  
Length **20 mm**  
Diameter D1 **8 mm**

ST 9



Part No. **42897**  
EAN **4251269309**  
**281**  
Package quantity **25**  
Colour **white**  
Length **20 mm**  
Diameter D1 **9 mm**

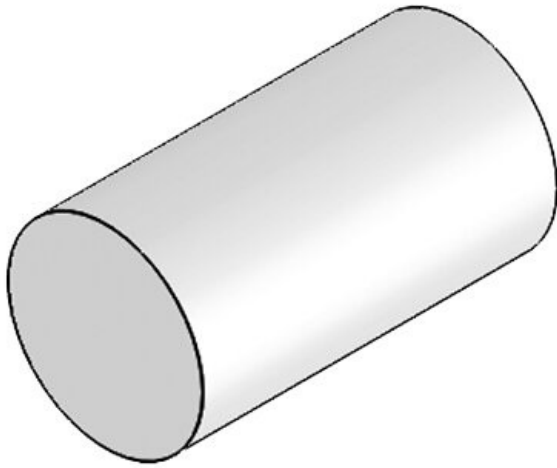
ST 10



Part No. **42895**  
EAN **4251269309**  
**274**  
Package quantity **25**  
Colour **white**  
Length **20 mm**  
Diameter D1 **10 mm**

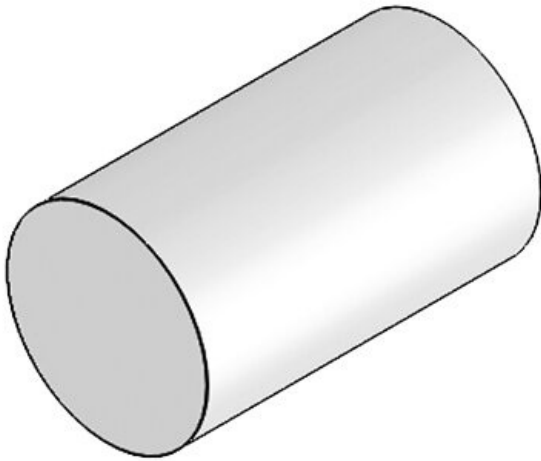
ST 11

Part No. **42893**  
EAN **4251269309**  
**267**  
Package quantity **25**  
Colour **white**  
Length **20 mm**  
Diameter D1 **11 mm**



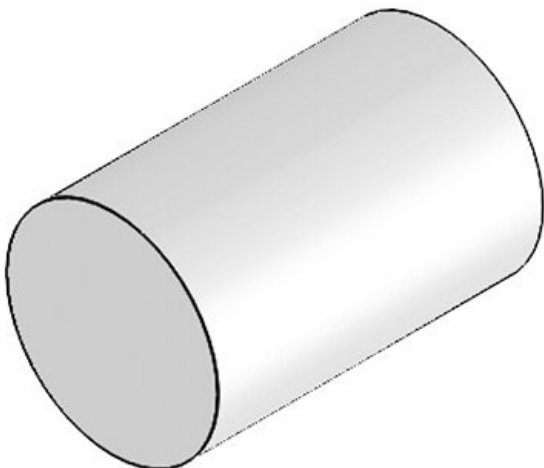
ST 12

Part No. **42891**  
EAN **4251269309**  
**250**  
Package quantity **25**  
Colour **white**  
Length **20 mm**  
Diameter D1 **12 mm**



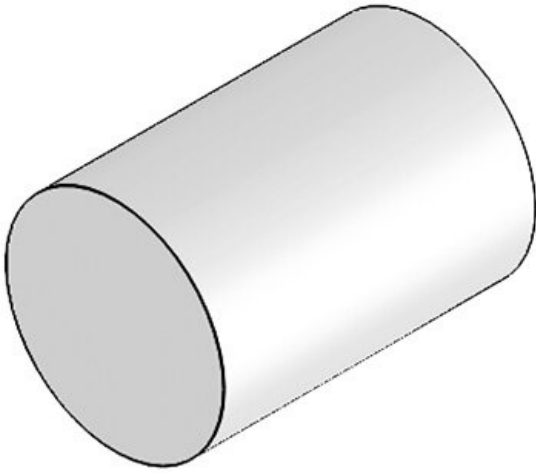
ST 13

Part No. **42889**  
EAN **4251269309**  
**243**  
Package quantity **25**  
Colour **white**  
Length **20 mm**  
Diameter D1 **13 mm**



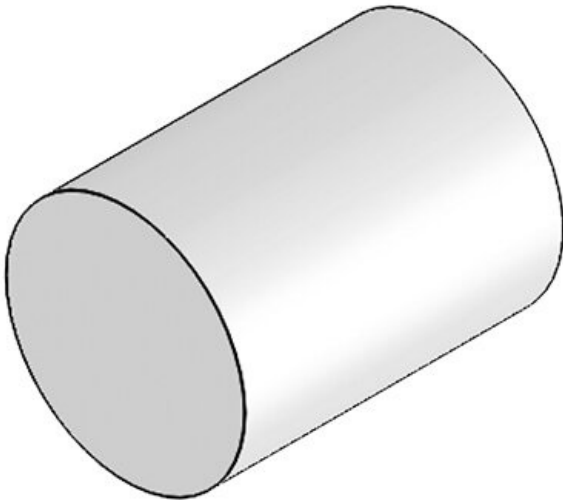
ST 14

Part No. **42887**  
EAN **4251269309**  
**236**  
Package quantity **25**  
Colour **white**  
Length **20 mm**  
Diameter D1 **14 mm**



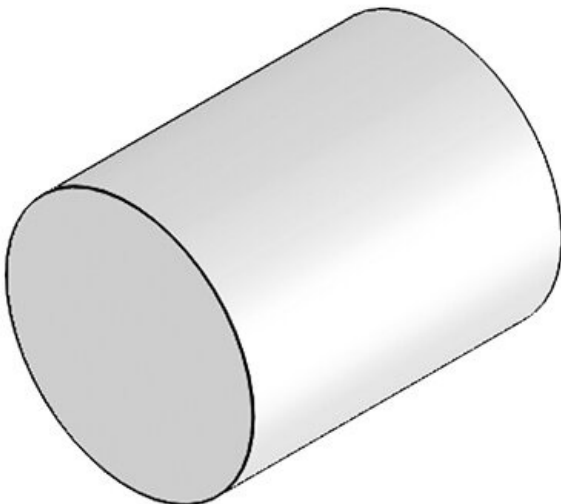
ST 15

Part No. **42885**  
EAN **4251269309**  
**229**  
Package quantity **25**  
Colour **white**  
Length **20 mm**  
Diameter D1 **15 mm**

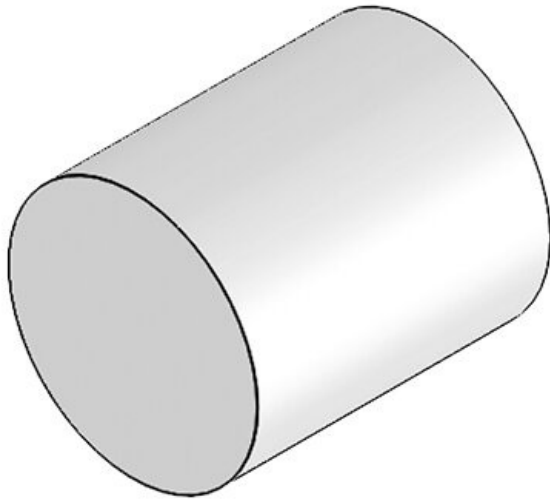


ST 16

Part No. **42883**  
EAN **4251269309**  
**212**  
Package quantity **25**  
Colour **white**  
Length **20 mm**  
Diameter D1 **16 mm**



ST 17



Part No. **42881**  
EAN **4251269309**  
**205**  
Package quantity **25**  
Colour **white**  
Length **20 mm**  
Diameter D1 **17 mm**

ST-ASI



Part No. **42877**  
EAN **4251269309**  
**199**  
Package quantity **25**  
Colour **white**  
Length **25 mm**

**icotek**<sup>®</sup>  
smart cable management