

KDR-VX25 | Enclosure gland plates

for Rittal VX25 enclosures / IP54



IP54

HL3
EN 45545-2

RoHS
compliant

REACH
COMPLIANCE

Made in
Germany

KDR-VX25 is a one-piece gland plate to be assembled on enclosure bases. The gland plates are already equipped with cut-outs for the [KEL-U](#), [KEL-FA](#), [KEL-QUICK](#), [KEL-DPR](#) or [KEL-JUMBO](#) cable entry systems.

The threaded mounting holes for the KEL frames are already integrated. Cut-outs which are no longer required are closed with [BPM](#) or [BPK](#) blank plates.

The KDR-VX25 gland plate is designed for Rittal VX25 enclosures. Other sizes are also available on request.

Specifications

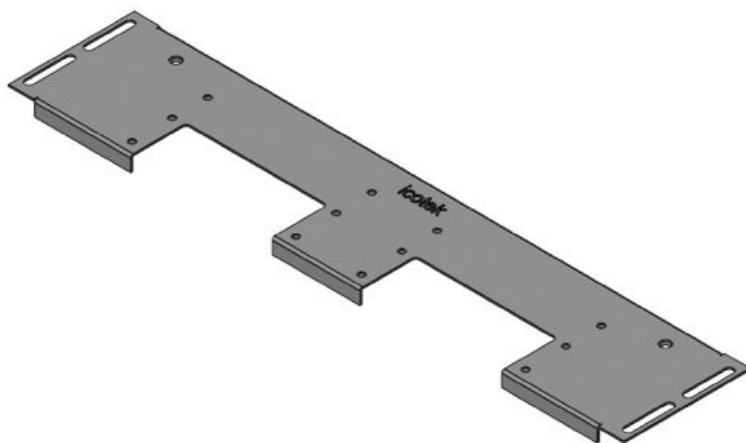
IP rating (EN 60529)	IP54
Material	Base plate: Steel, zinc plated
Flame class	UL94-V0, self-extinguishing
Properties	silicone free, halogen free
Mounting options	Screw type mounting

Advantages & benefits

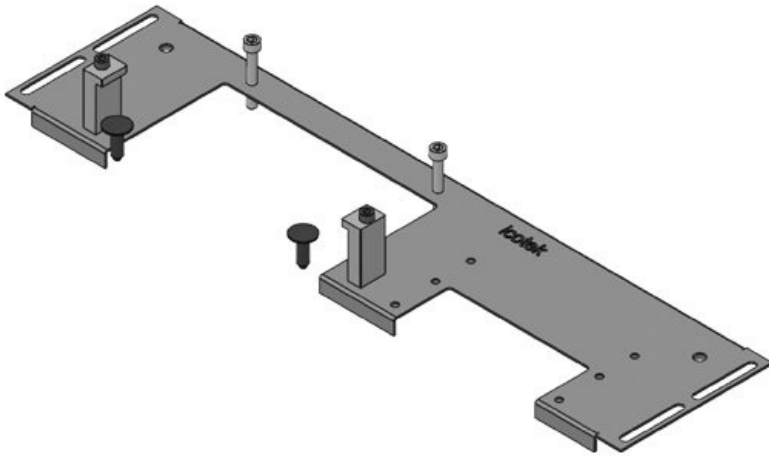
- Easy assembly of KEL-U, KEL-FA, KEL-QUICK, KEL-DPR, KEL-JUMBO
- Prepared for the assembly of KDR-EMC-PFM
- Threaded pull-through for earthing tape integrated
- Ideal for maintenance and retrofitting
- Reserve can be scheduled
- Space-saving solution
- No additional sheet metal work required
- Very large connectors can be inserted with ease

Product types & sizes

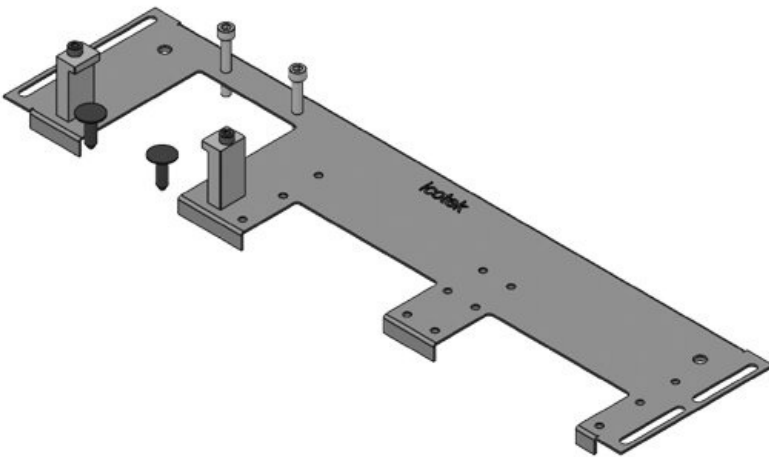
KDR-VX25-600-44300



Part No.	44300	For enclosure	600 mm
EAN	4251269336	width	
	430	Sight size of	452 mm
Package	1	base opening	
quantity		Suitable for	2 x KEL-U 24
Length	488 mm	cable entry	/ KEL-FA 24 /
Width	100 mm	systems:	KEL-QUICK
Height	12 mm		24
Total length	488 mm	Suitable for	Rittal VX25
gland plate		enclosure	



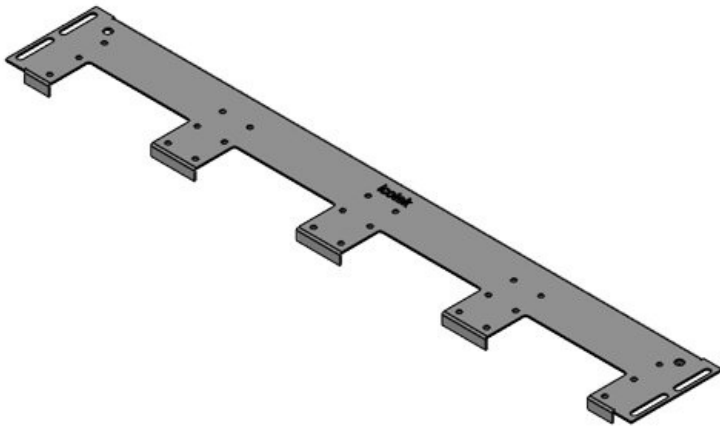
Part No.	44301	For enclosure	600 mm
EAN	4251269336	width	
	447	Sight size of	452 mm
Package	1	base opening	
quantity		Suitable for	1 × KEL-
Length	488 mm	cable entry	JUMBO 2 1
Width	120 mm	systems:	× KEL-U 24 /
Height	12 mm		KEL-FA 24 /
Total length	488 mm		KEL-QUICK
gland plate			24
		Suitable for	Rittal VX25
		enclosure	



Part No.	44302	For enclosure	600 mm
EAN	4251269336	width	
	454	Sight size of	452 mm
Package	1	base opening	
quantity		Suitable for	1 × KEL-
Length	488 mm	cable entry	JUMBO 1 2
Width	120 mm	systems:	× KEL-U 24 /
Height	12 mm		KEL-FA 24 /
Total length	488 mm		KEL-QUICK
gland plate			24
		Suitable for	Rittal VX25
		enclosure	

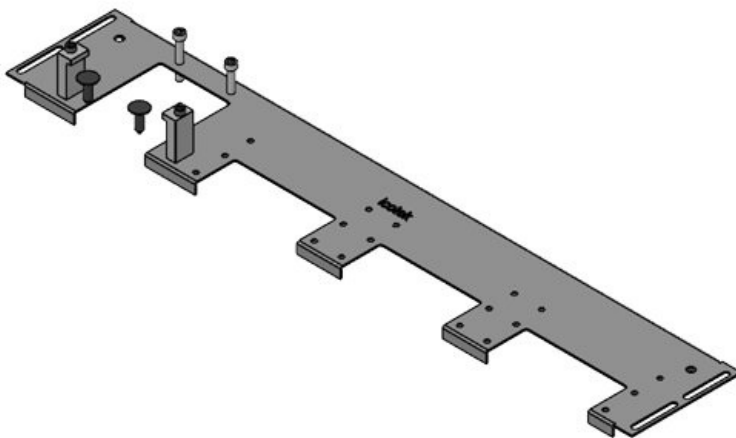
KDR-VX25-800-44303

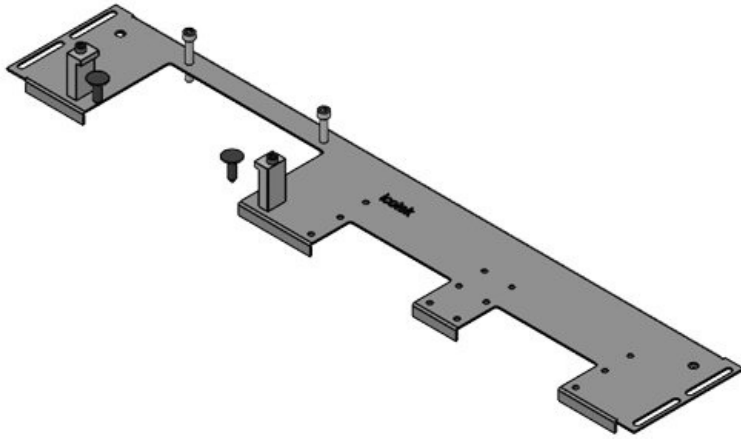
Part No.	44303	For enclosure	800 mm
EAN	4251269336	width	
	461	Sight size of	652 mm
Package	1	base opening	
quantity		Suitable for	4 × KEL-U 24
Length	688 mm	cable entry	/ KEL-FA 24 /
Width	100 mm	systems:	KEL-QUICK
Height	12 mm		24
Total length	688 mm	Suitable for	Rittal VX25
gland plate		enclosure	



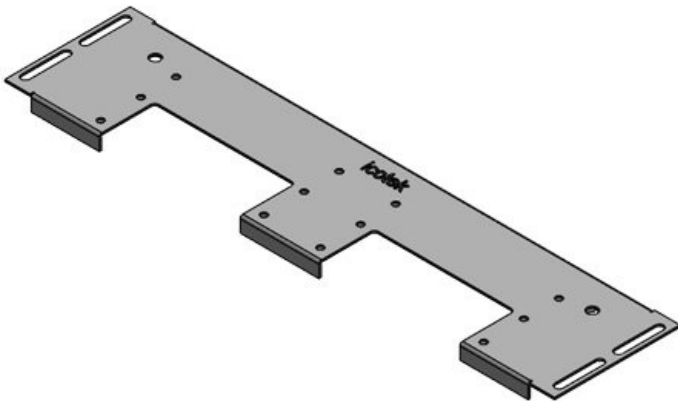
KDR-VX25-800-44304

Part No.	44304	For enclosure	800 mm
EAN	4251269336	width	
	478	Sight size of	652 mm
Package	1	base opening	
quantity		Suitable for	1 × KEL-
Length	688 mm	cable entry	JUMBO 1 3
Width	120 mm	systems:	× KEL-U 24 /
Height	12 mm		KEL-FA 24 /
Total length	688 mm		KEL-QUICK
gland plate			24
		Suitable for	Rittal VX25
		enclosure	





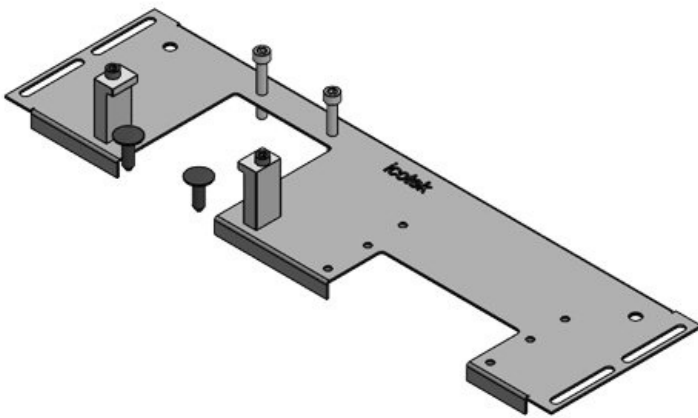
Part No.	44305	For enclosure width	800 mm
EAN	4251269336	Sight size of base opening	652 mm
Package quantity	1	Suitable for cable entry systems:	1 × KEL-JUMBO 2 2 × KEL-U 24 / KEL-FA 24 / KEL-QUICK 24
Length	688 mm		
Width	120 mm		
Height	12 mm		
Total length gland plate	688 mm	Suitable for enclosure	Rittal VX25



Part No.	44306	For enclosure width	1.000 mm
EAN	4251269336	Sight size of base opening	402 mm
Package quantity	1	Division bar	yes
Length	438 mm	Suitable for cable entry systems:	2 × KEL-U 24 / KEL-FA 24 / KEL-QUICK 24
Width	100 mm		
Height	12 mm		
Total length gland plate	438 mm	Suitable for enclosure	Rittal VX25

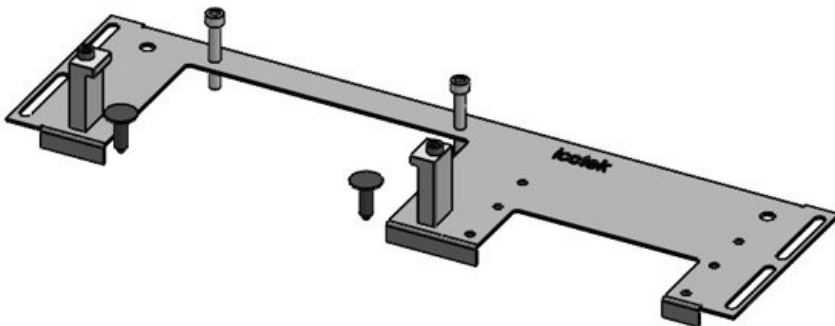
KDR-VX25-1000-44307

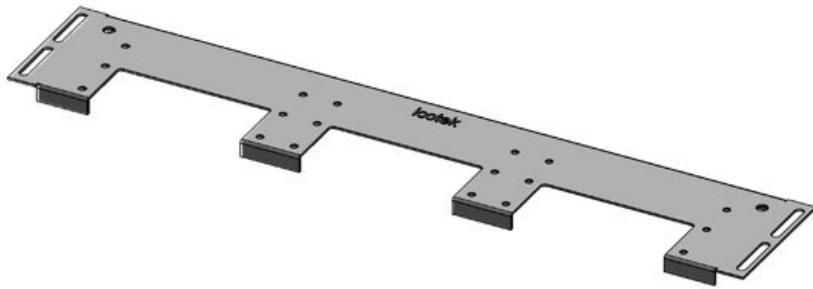
Part No.	44307	For enclosure width	1.000 mm
EAN	4251269336	Sight size of base opening	402 mm
Package quantity	1	Division bar	yes
Length	438 mm	Suitable for cable entry systems:	1 × KEL-JUMBO 1 1 × KEL-U 24 / KEL-FA 24 / KEL-QUICK 24
Width	120 mm		
Height	12 mm		
Total length gland plate	438 mm	Suitable for enclosure	Rittal VX25



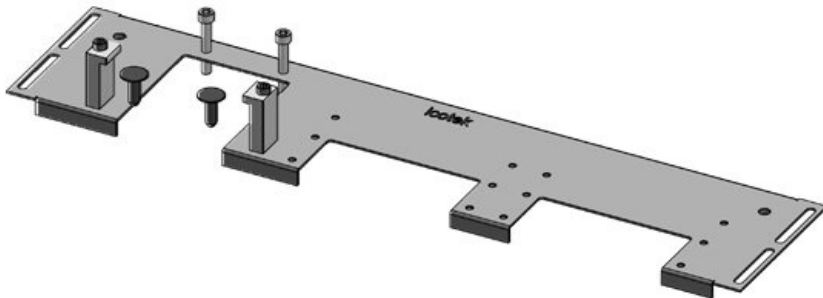
KDR-VX25-1000-44308

Part No.	44308	For enclosure width	1.000 mm
EAN	4251269336	Sight size of base opening	402 mm
Package quantity	1	Division bar	yes
Length	438 mm	Suitable for cable entry systems:	1 × KEL-JUMBO 2 1 × KEL-U 24 / KEL-FA 24 / KEL-QUICK 24
Width	120 mm		
Height	12 mm		
Total length gland plate	438 mm	Suitable for enclosure	Rittal VX25





Part No.	44309	For enclosure width	1.200 mm
EAN	4251269336	Sight size of base opening	502 mm
Package quantity	1	Suitable for cable entry systems:	3 × KEL-U 24 / KEL-FA 24 / KEL-QUICK 24
Length	538 mm	Suitable for enclosure	Rittal VX25
Width	100 mm		
Height	12 mm		
Total length gland plate	538 mm		



Part No.	44310	For enclosure width	1.200 mm
EAN	4251269336	Sight size of base opening	502 mm
Package quantity	1	Suitable for cable entry systems:	1 × KEL-JUMBO 1 2 × KEL-U 24 / KEL-FA 24 / KEL-QUICK 24
Length	538 mm	Suitable for enclosure	Rittal VX25
Width	120 mm		
Height	12 mm		
Total length gland plate	538 mm		

Part No.	44311	For enclosure width	1.200 mm
EAN	4251269336	Sight size of base opening	502 mm
Package quantity	1	Suitable for cable entry systems:	1 × KEL-JUMBO 2 1 × KEL-U 24 / KEL-FA 24 / KEL-QUICK 24
Length	538 mm		
Width	120 mm		
Height	12 mm		
Total length gland plate	538 mm	Suitable for enclosure	Rittal VX25

