

# ALU-LINE

Innovative LED lighting for industry and IT applications



IP20

RoHS  
compliant

REACH  
COMPLIANCE

Made in  
Germany

CE

UK  
CA

The ALU-LINE system luminaires provides effective lighting in enclosures for industrial and IT applications. Their aluminium housing makes them particularly high-quality and stable.

The ALU-LINE luminaire offers an integrated socket as a practical additional benefit. This is available in EU, CH, BE or GB versions.

The High Power LED illuminates with 1350 lumens and provides a balanced homogeneous area light. Another advantage is that the through-wiring of several luminaires is possible.

A [door operated switch](#) is available as an option.

Borrow a sample now



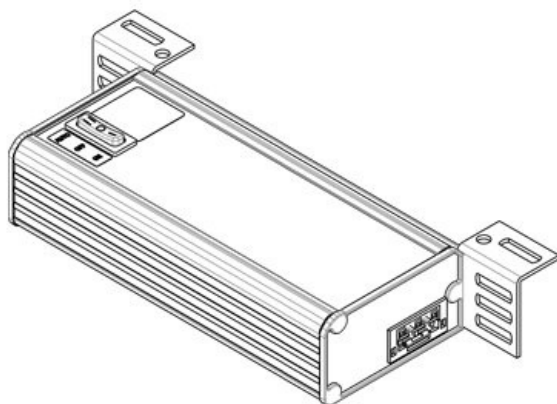
## Specifications

<b>IP rating (EN 60529)</b>	IP20
<b>Protection class</b>	I (Protective conductor connection)
<b>Material</b>	Enclosure: Aluminium, extruded Luminaire cover: Polycarbonate
<b>Flame class</b>	
<b>Operating temperature</b>	-20 C° to 50 C°
<b>Mounting options</b>	Screw type mounting

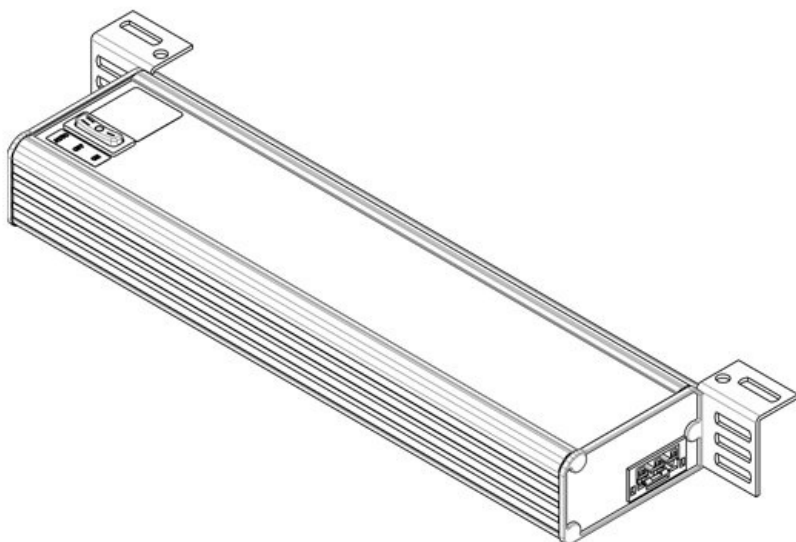
## Advantages & benefits

- Integrated socket available in different versions: EU, CH, BE, GB
- High-quality and stable aluminium housing
- Various mounting types: screw assembly and assembly on top-hat rail 35 mm
- Effective LED lighting with 1350 lm
- Available with motion sensor
- Door operated switch available as an option
- Through-wiring of several luminaires possible

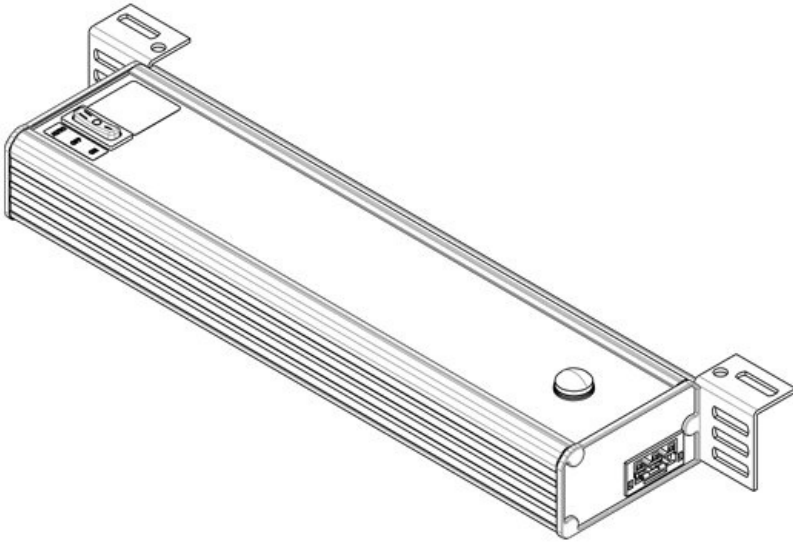
## Product types & sizes

**ALU-LINE 200 (UL/CSA)**

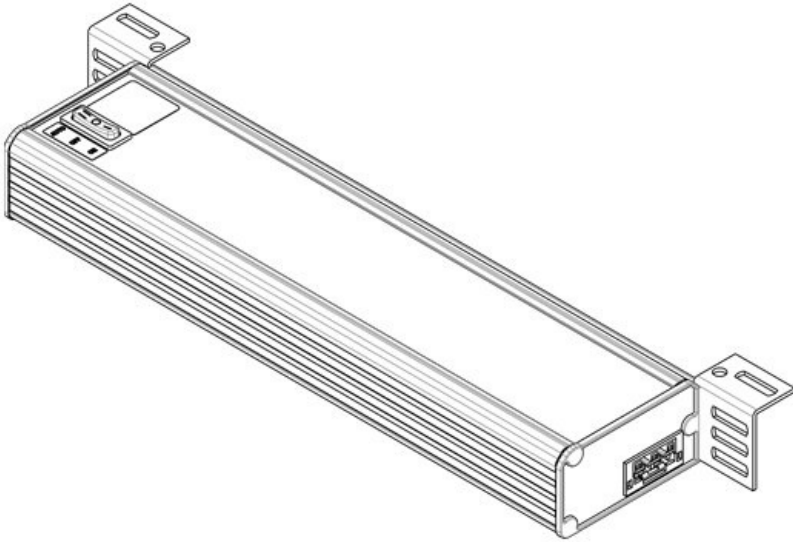
Part No.	<b>81404</b>	Connection possibilities	<b>Door operated switch, Through-wiring, Feed-in</b>
EAN			
Package quantity	<b>1</b>		
UL Certificate	<b>cURus (in progress)</b>		
Length	<b>197,2 mm</b>	Connector type	<b>GST 18 socket</b>
Height	<b>48 mm</b>	Rated power	<b>6 W</b>
Width	<b>112,6 mm</b>	Operating voltage	<b>100 - 240 V AC</b>
		Test standard	<b>EN 60598, EN 62471, EN 55015, EN 61000</b>
		Protection class	<b>I (Protective conductor connection)</b>
		Guidelines	<b>2014/35/EU, 2014/30/EU</b>
		Service life	<b>50.000 h</b>
		Energy efficiency class	<b>F</b>
		Consumption kWh/1000 h	<b>13</b>
		Colour temperature	<b>5.600 K</b>
		Colour rendering index CRI	<b>&gt;80</b>
		Luminous flux	<b>900 lm</b>

**ALU-LINE 350 (UL/CSA)**

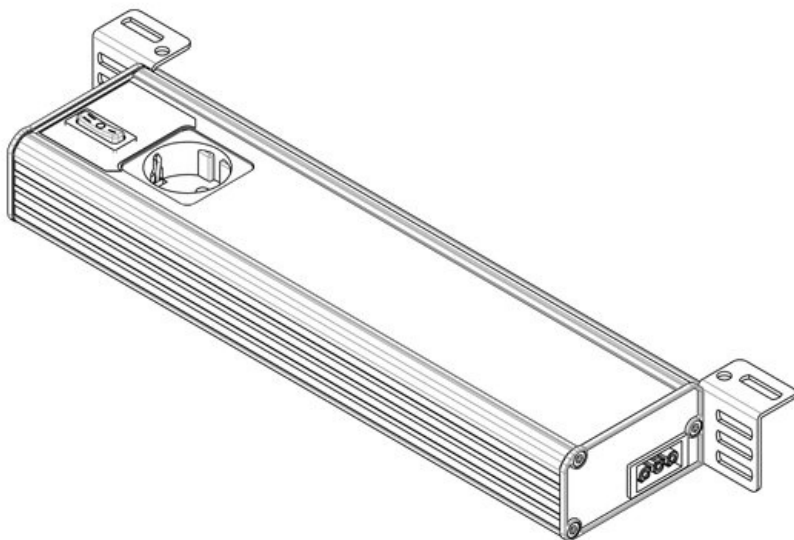
Part No.	<b>81403</b>	Connection possibilities	<b>Feed-in, Through-wiring, Door operated switch</b>
EAN			
Package quantity	<b>1</b>		
UL Certificate	<b>cURus (in progress)</b>		
Length	<b>347,2 mm</b>	Connector type	<b>GST 18 socket</b>
Height	<b>48 mm</b>	Rated power	<b>9 W</b>
Width	<b>112,6 mm</b>	Operating voltage	<b>100 - 240 V AC</b>
		Test standard	<b>EN 60598, EN 62471, EN 55015, EN 61000</b>
		Protection class	<b>I (Protective conductor connection)</b>
		Guidelines	<b>2014/35/EU, 2014/30/EU</b>
		Service life	<b>50.000 h</b>
		Energy efficiency class	<b>F</b>
		Consumption kWh/1000 h	<b>13</b>
		Colour temperature	<b>5.600 K</b>
		Colour rendering index CRI	<b>&gt;80</b>
		Luminous flux	<b>1.280 lm</b>

**ALU-LINE 350 (UL/CSA) with motion sensor**

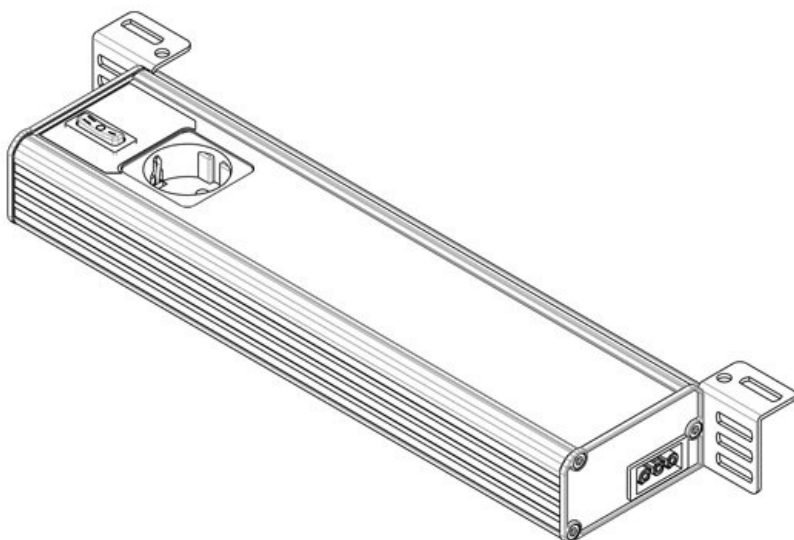
Part No.	<b>81401</b>	Version	<b>PIR motion detector</b>
EAN		Connection possibilities	<b>Feed-in, Through-wiring</b>
Package quantity	<b>1</b>	Connector type	<b>GST 18 socket</b>
UL Certificate	<b>cURus (in progress)</b>	Rated power	<b>9 W</b>
Length	<b>347,2 mm</b>	Operating voltage	<b>100 - 240 V AC</b>
Height	<b>48 mm</b>	Test standard	<b>EN 60598, EN 62471, EN 55015, EN 61000</b>
Width	<b>112,6 mm</b>	Protection class	<b>I (Protective conductor connection)</b>
		Guidelines	<b>2014/35/EU, 2014/30/EU</b>
		Service life	<b>50.000 h</b>
		Energy efficiency class	<b>F</b>
		Consumption kWh/1000 h	<b>13</b>
		Colour temperature	<b>5.600 K</b>
		Colour rendering index CRI	<b>&gt;80</b>
		Luminous flux	<b>1.280 lm</b>

**ALU-LINE 350 (UL/CSA) 120V**

Part No.	<b>81408</b>	Connection possibilities	<b>Feed-in, Through-wiring, Door operated switch</b>
EAN		Connector type	<b>GST 18 socket</b>
Package quantity	<b>1</b>	Rated power	<b>9 W</b>
UL Certificate	<b>cURus (in progress)</b>	Operating voltage	<b>120 V AC</b>
Length	<b>347,2 mm</b>	Test standard	<b>EN 60598, EN 62471, EN 55015, EN 61000</b>
Height	<b>48 mm</b>	Protection class	<b>I (Protective conductor connection)</b>
Width	<b>112,6 mm</b>	Guidelines	<b>2014/35/EU, 2014/30/EU</b>
		Service life	<b>50.000 h</b>
		Energy efficiency class	<b>F</b>
		Consumption kWh/1000 h	<b>13</b>
		Colour temperature	<b>5.600 K</b>
		Colour rendering index CRI	<b>&gt;80</b>
		Luminous flux	<b>1.280 lm</b>

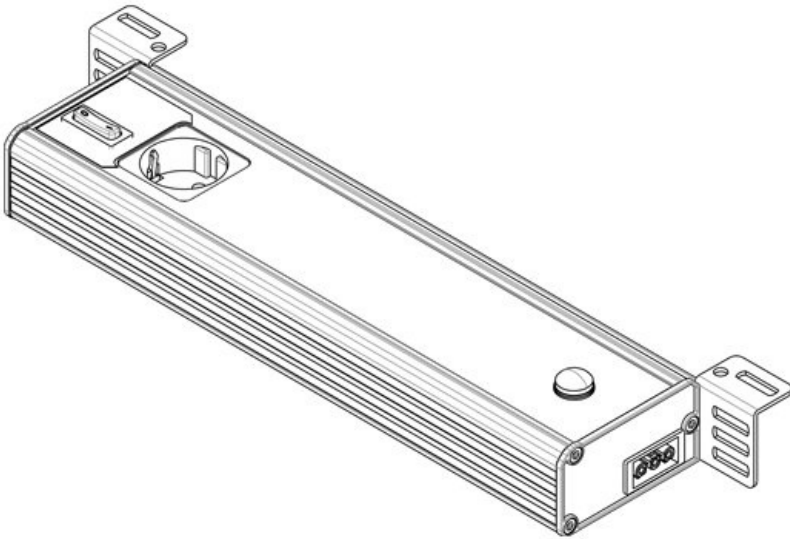


Part No.	<b>81300</b>	Connection possibilities	<b>Door operated switch, Through-wiring, Feed-in</b>
EAN	<b>4251269332883</b>		
Package quantity	<b>1</b>		
Length	<b>347,2 mm</b>		
Height	<b>48 mm</b>	Connector type	<b>GST 18 socket</b>
Width	<b>112,6 mm</b>	Rated power	<b>12 W</b>
Version	<b>Socket D/Schuko (Type F, CEE 7/3)</b>	Operating voltage	<b>230 V AC +/-5%, 50 - 60 Hz</b>
		Test standard	<b>EN 60598, EN 62471, EN 55015, EN 61000 I (Protective conductor connection)</b>
		Protection class	<b>2014/35/EU, 2014/30/EU</b>
		Guidelines	<b>50.000 h</b>
		Service life	<b>F</b>
		Energy efficiency class	<b>13</b>
		Consumption kWh/1000 h	<b>5.600 K</b>
		Colour temperature	<b>&gt;80</b>
		Colour rendering index CRI	<b>1.350 lm</b>
		Luminous flux	



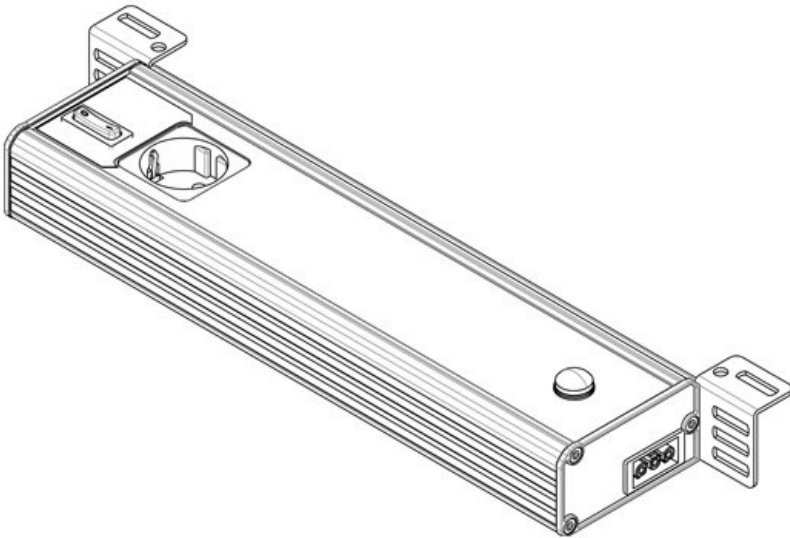
Part No.	<b>81308</b>	Connection possibilities	<b>Door operated switch, Through-wiring, Feed-in</b>
EAN	<b>1</b>		
Package quantity	<b>1</b>		
Length	<b>347,2 mm</b>		
Height	<b>48 mm</b>	Connector type	<b>GST 18 socket</b>
Width	<b>112,6 mm</b>	Rated power	<b>12 W</b>
Version	<b>Socket D/Schuko (Type F, CEE 7/3)</b>	Operating voltage	<b>230 V AC +/-5%, 50 - 60 Hz</b>
		Test standard	<b>EN 60598, EN 62471, EN 55015, EN 61000 I (Protective conductor connection)</b>
		Protection class	<b>2014/35/EU, 2014/30/EU</b>
		Guidelines	<b>50.000 h</b>
		Service life	<b>F</b>
		Energy efficiency class	<b>13</b>
		Consumption kWh/1000 h	<b>5.600 K</b>
		Colour temperature	<b>&gt;80</b>
		Colour rendering index CRI	<b>1.350 lm</b>
		Luminous flux	

ALU-LINE 350 | EU with motion sensor

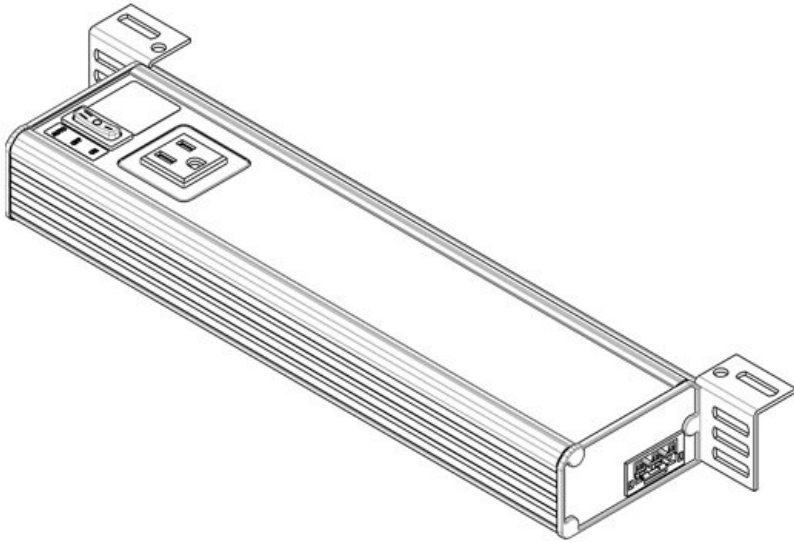


Part No.	<b>81304</b>	Connection possibilities	<b>Feed-in, Through-wiring</b>
EAN	<b>4251269332920</b>	Connector type	<b>GST 18 socket</b>
Package quantity	<b>1</b>	Rated power	<b>12 W</b>
Length	<b>347,2 mm</b>	Operating voltage	<b>230 V AC +/-5%, 50 - 60 Hz</b>
Height	<b>48 mm</b>	Test standard	<b>EN 60598, EN 62471, EN 55015, EN 61000 I (Protective conductor connection)</b>
Width	<b>112,6 mm</b>	Protection class	<b>I (Protective conductor connection)</b>
Version	<b>Socket D/Schuko (Type F, CEE 7/3, PIR motion detector)</b>	Guidelines	<b>2014/35/EU, 2014/30/EU</b>
		Service life	<b>50.000 h</b>
		Energy efficiency class	<b>F</b>
		Consumption kWh/1000 h	<b>13</b>
		Colour temperature	<b>5.600 K</b>
		Colour rendering index CRI	<b>&gt;80</b>
		Luminous flux	<b>1.350 lm</b>

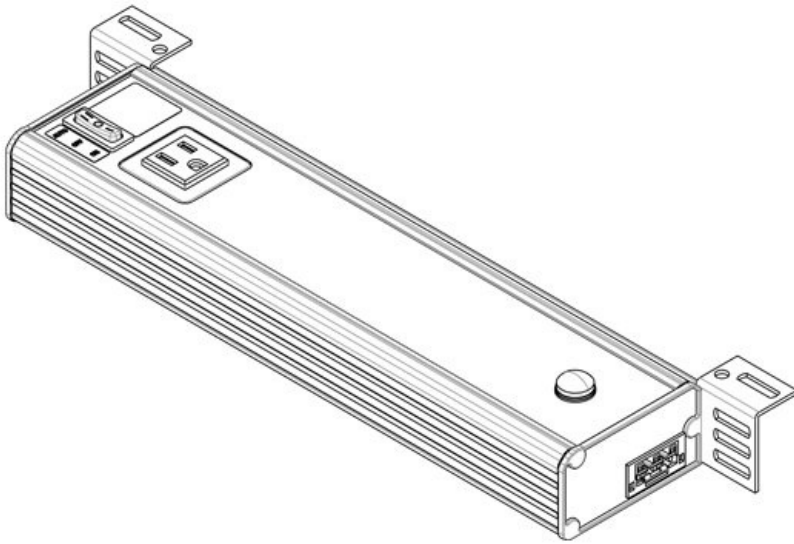
ALU-LINE 350 | EU with motion sensor



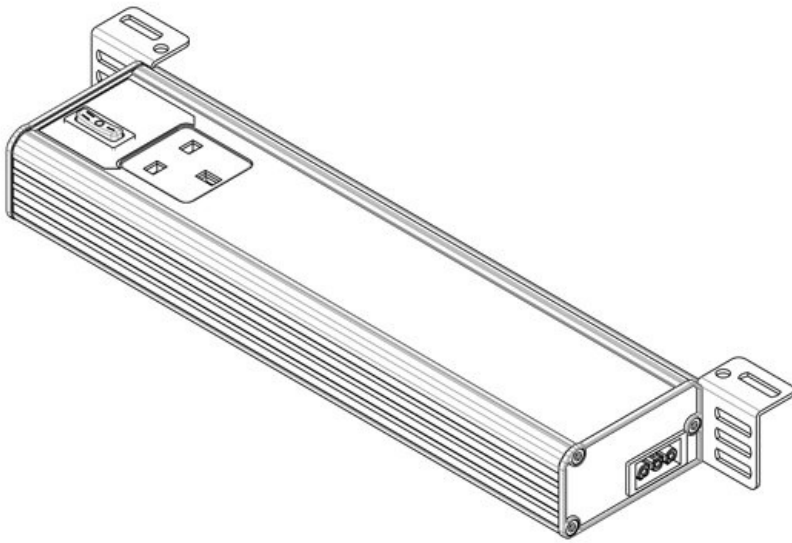
Part No.	<b>81309</b>	Connection possibilities	<b>Feed-in, Through-wiring</b>
EAN	<b>4251269332920</b>	Connector type	<b>GST 18 socket</b>
Package quantity	<b>1</b>	Rated power	<b>12 W</b>
Length	<b>347,2 mm</b>	Operating voltage	<b>230 V AC +/-5%, 50 - 60 Hz</b>
Height	<b>48 mm</b>	Test standard	<b>EN 60598, EN 62471, EN 55015, EN 61000 I (Protective conductor connection)</b>
Width	<b>112,6 mm</b>	Protection class	<b>I (Protective conductor connection)</b>
Version	<b>Socket D/Schuko (Type F, CEE 7/3, PIR motion detector)</b>	Guidelines	<b>2014/35/EU, 2014/30/EU</b>
		Service life	<b>50.000 h</b>
		Energy efficiency class	<b>F</b>
		Consumption kWh/1000 h	<b>13</b>
		Colour temperature	<b>5.600 K</b>
		Colour rendering index CRI	<b>&gt;80</b>
		Luminous flux	<b>1.350 lm</b>



Part No.	<b>81402</b>	Version	<b>Steckdose_U S_Typ_B_NEM</b>
EAN			<b>A-5</b>
Package quantity	<b>1</b>	Connection possibilities	<b>Door operated switch, Through-wiring, Feed-in</b>
UL Certificate	<b>cURus (in progress)</b>	Connector type	<b>GST 18 socket</b>
Length	<b>347,2 mm</b>	Rated power	<b>9 W</b>
Height	<b>48 mm</b>	Operating voltage	<b>100 - 240 V AC</b>
Width	<b>112,6 mm</b>	Test standard	<b>EN 60598, EN 62471, EN 55015, EN 61000 I (Protective conductor connection)</b>
		Protection class	<b>I (Protective conductor connection)</b>
		Guidelines	<b>2014/35/EU, 2014/30/EU</b>
		Service life	<b>50.000 h</b>
		Energy efficiency class	<b>F</b>
		Consumption kWh/1000 h	<b>13</b>
		Colour temperature	<b>5.600 K</b>
		Colour rendering index CRI	<b>&gt;80</b>
		Luminous flux	<b>1.280 lm</b>

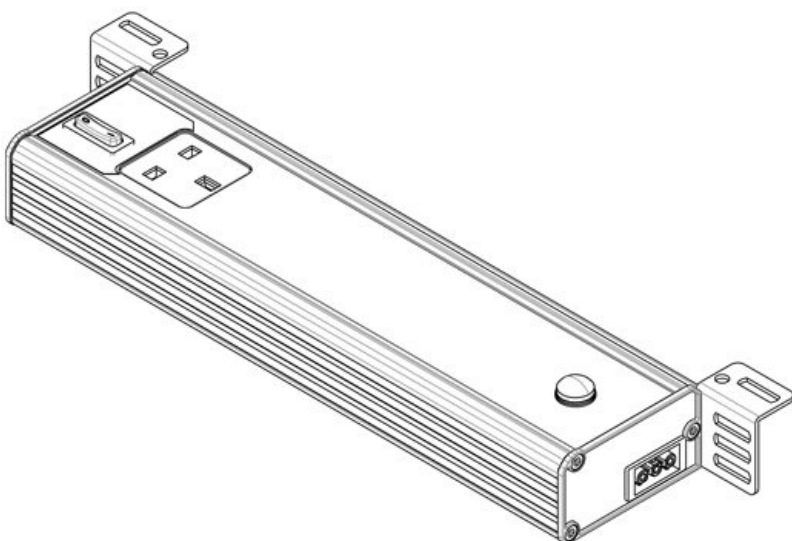


Part No.	<b>81400</b>	Version	<b>PIR motion detector,</b>
EAN	<b>4251269333</b>		<b>Steckdose_U</b>
	<b>477</b>		<b>S_Typ_A_NEM</b>
Package quantity	<b>1</b>		<b>A-5</b>
UL Certificate	<b>cURus (in progress)</b>	Connection possibilities	<b>Feed-in, Through-wiring</b>
Length	<b>347,2 mm</b>	Connector type	<b>GST 18 socket</b>
Height	<b>48 mm</b>	Rated power	<b>9 W</b>
Width	<b>112,6 mm</b>	Operating voltage	<b>100 - 240 V AC</b>
		Test standard	<b>EN 60598, EN 62471, EN 55015, EN 61000</b>
		Protection class	<b>I (Protective conductor connection)</b>
		Guidelines	<b>2014/35/EU, 2014/30/EU</b>
		Service life	<b>50.000 h</b>
		Energy efficiency class	<b>F</b>
		Consumption kWh/1000 h	<b>13</b>
		Colour temperature	<b>5.600 K</b>
		Colour rendering index CRI	<b>&gt;80</b>
		Luminous flux	<b>1.280 lm</b>



Part No.	<b>81303</b>	Connection possibilities	<b>Door operated switch, Through-wiring, Feed-in</b>
EAN	<b>4251269332913</b>	Connector type	<b>GST 18 socket</b>
Package quantity	<b>1</b>	Rated power	<b>12 W</b>
Length	<b>347,2 mm</b>	Operating voltage	<b>230 V AC +/-5%, 50 - 60 Hz</b>
Height	<b>48 mm</b>	Test standard	<b>EN 60598, EN 62471, EN 55015, EN 61000</b>
Width	<b>112,6 mm</b>	Protection class	<b>I (Protective conductor connection)</b>
Version	<b>Socket GB (Type G, BS 1363)</b>	Guidelines	<b>2014/35/EU, 2014/30/EU</b>
		Service life	<b>50.000 h</b>
		Energy efficiency class	<b>F</b>
		Consumption kWh/1000 h	<b>13</b>
		Colour temperature	<b>5.600 K</b>
		Colour rendering index CRI	<b>&gt;80</b>
		Luminous flux	<b>1.350 lm</b>

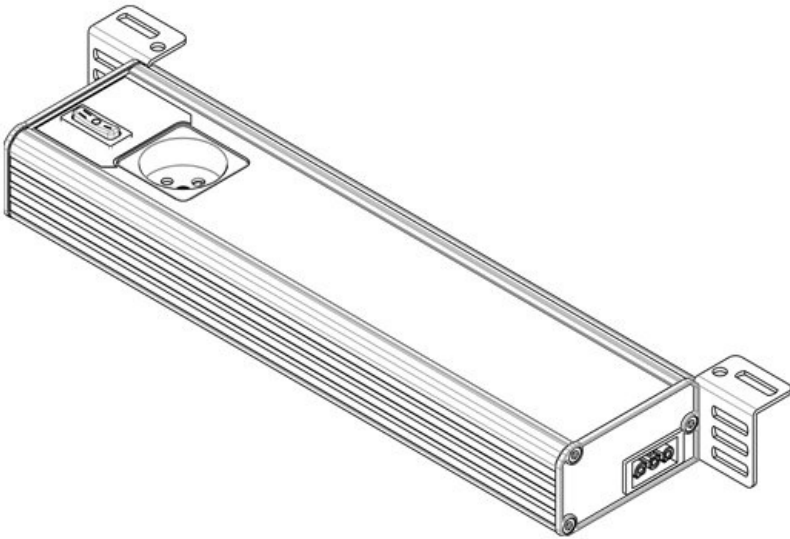
ALU-LINE 350 | GB with motion sensor



Part No.	<b>81307</b>	Connection possibilities	<b>Feed-in, Through-wiring</b>
EAN	<b>4251269332951</b>	Connector type	<b>GST 18 socket</b>
Package quantity	<b>1</b>	Rated power	<b>12 W</b>
Length	<b>347,2 mm</b>	Operating voltage	<b>230 V AC +/-5%, 50 - 60 Hz</b>
Height	<b>48 mm</b>	Test standard	<b>EN 60598, EN 62471, EN 55015, EN 61000</b>
Width	<b>112,6 mm</b>	Protection class	<b>I (Protective conductor connection)</b>
Version	<b>Socket GB (Type G, BS 1363), PIR motion detector</b>	Guidelines	<b>2014/35/EU, 2014/30/EU</b>
		Service life	<b>50.000 h</b>
		Energy efficiency class	<b>F</b>
		Consumption kWh/1000 h	<b>13</b>
		Colour temperature	<b>5.600 K</b>
		Colour rendering index CRI	<b>&gt;80</b>
		Luminous flux	<b>1.350 lm</b>

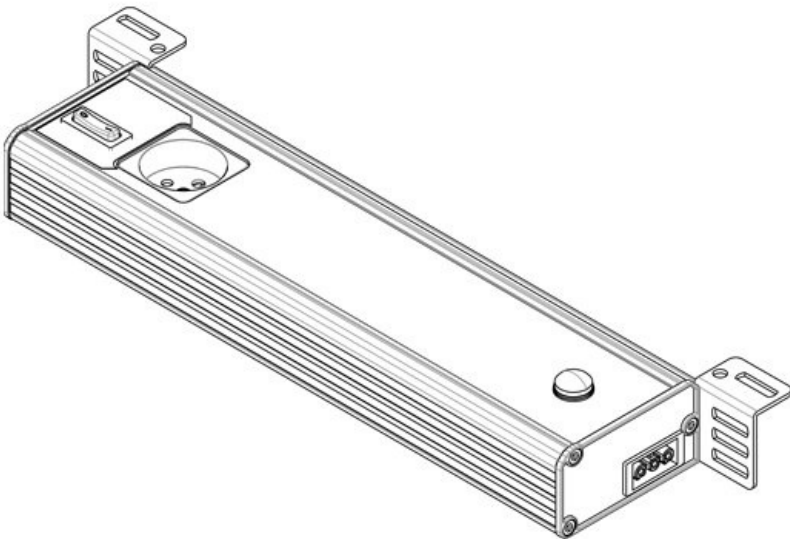


ALU-LINE 350 | BE

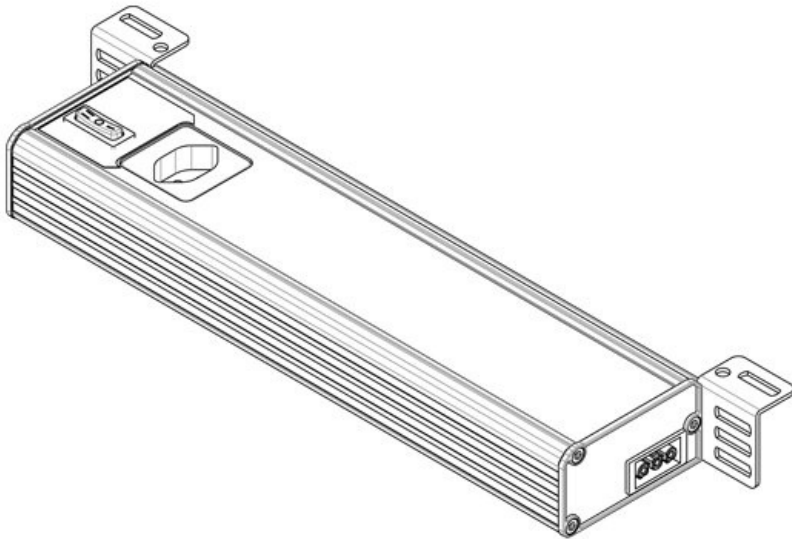


Part No.	<b>81301</b>	Connection possibilities	<b>Door operated switch, Through-wiring, Feed-in</b>
EAN	<b>4251269332890</b>		
Package quantity	<b>1</b>	Connector type	<b>GST 18 socket</b>
Length	<b>347,2 mm</b>	Rated power	<b>12 W</b>
Height	<b>48 mm</b>	Operating voltage	<b>230 V AC +/-5%, 50 - 60 Hz</b>
Width	<b>112,6 mm</b>	Test standard	<b>EN 60598, EN 62471, EN 55015, EN 61000</b>
Version	<b>Socket F/B (Type E, CEE 7/5)</b>	Protection class	<b>I (Protective conductor connection)</b>
		Guidelines	<b>2014/35/EU, 2014/30/EU</b>
		Service life	<b>50.000 h</b>
		Energy efficiency class	<b>F</b>
		Consumption kWh/1000 h	<b>13</b>
		Colour temperature	<b>5.600 K</b>
		Colour rendering index CRI	<b>&gt;80</b>
		Luminous flux	<b>1.350 lm</b>

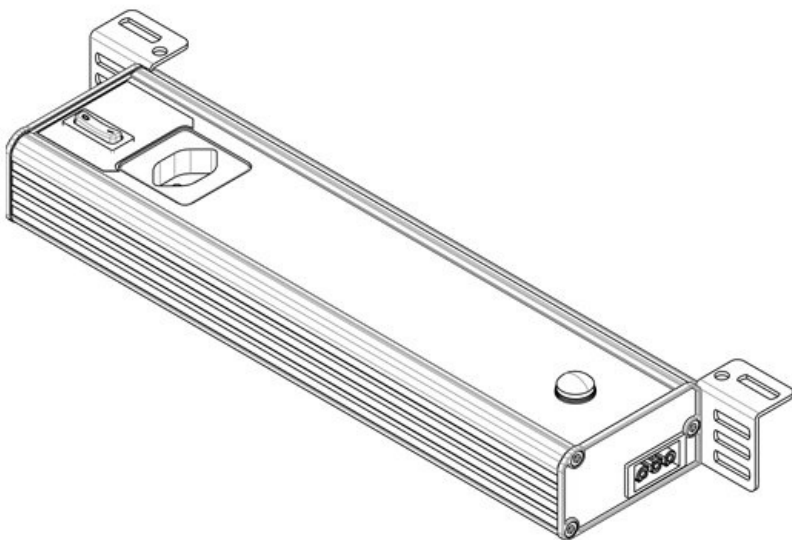
ALU-LINE 350 | BE with motion sensor



Part No.	<b>81305</b>	Connection possibilities	<b>Feed-in, Through-wiring</b>
EAN	<b>4251269332937</b>		
Package quantity	<b>1</b>	Connector type	<b>GST 18 socket</b>
Length	<b>347,2 mm</b>	Rated power	<b>12 W</b>
Height	<b>48 mm</b>	Operating voltage	<b>230 V AC +/-5%, 50 - 60 Hz</b>
Width	<b>112,6 mm</b>	Test standard	<b>EN 60598, EN 62471, EN 55015, EN 61000</b>
Version	<b>PIR motion detector, Socket F/B (Type E, CEE 7/5)</b>	Protection class	<b>I (Protective conductor connection)</b>
		Guidelines	<b>2014/35/EU, 2014/30/EU</b>
		Service life	<b>50.000 h</b>
		Energy efficiency class	<b>F</b>
		Consumption kWh/1000 h	<b>13</b>
		Colour temperature	<b>5.600 K</b>
		Colour rendering index CRI	<b>&gt;80</b>
		Luminous flux	<b>1.350 lm</b>



Part No.	<b>81302</b>	Connection possibilities	<b>Door operated switch, Through-wiring, Feed-in</b>
EAN	<b>4251269332906</b>	Connector type	<b>GST 18 socket</b>
Package quantity	<b>1</b>	Rated power	<b>12 W</b>
Length	<b>347,2 mm</b>	Operating voltage	<b>230 V AC +/-5%, 50 - 60 Hz</b>
Height	<b>48 mm</b>	Test standard	<b>EN 60598, EN 62471, EN 55015, EN 61000</b>
Width	<b>112,6 mm</b>	Protection class	<b>I (Protective conductor connection)</b>
Version	<b>Socket CH (Type J, SEV 1011)</b>	Guidelines	<b>2014/35/EU, 2014/30/EU</b>
		Service life	<b>50.000 h</b>
		Energy efficiency class	<b>F</b>
		Consumption kWh/1000 h	<b>13</b>
		Colour temperature	<b>5.600 K</b>
		Colour rendering index CRI	<b>&gt;80</b>
		Luminous flux	<b>1.350 lm</b>



Part No.	<b>81306</b>	Connection possibilities	<b>Feed-in, Through-wiring</b>
EAN	<b>4251269332944</b>	Connector type	<b>GST 18 socket</b>
Package quantity	<b>1</b>	Rated power	<b>12 W</b>
Length	<b>347,2 mm</b>	Operating voltage	<b>230 V AC +/-5%, 50 - 60 Hz</b>
Height	<b>48 mm</b>	Test standard	<b>EN 60598, EN 62471, EN 55015, EN 61000</b>
Width	<b>112,6 mm</b>	Protection class	<b>I (Protective conductor connection)</b>
Version	<b>PIR motion detector, Socket CH (Type J, SEV 1011)</b>	Guidelines	<b>2014/35/EU, 2014/30/EU</b>
		Service life	<b>50.000 h</b>
		Energy efficiency class	<b>F</b>
		Consumption kWh/1000 h	<b>13</b>
		Colour temperature	<b>5.600 K</b>
		Colour rendering index CRI	<b>&gt;80</b>
		Luminous flux	<b>1.350 lm</b>

Connecting cable for ALU-LINE, 3000 mm



Part No.	<b>81330</b>	Material cable	<b>PVC</b>
EAN	<b>4251269332</b>	sheath	
	<b>968</b>		
Package quantity	<b>1</b>		
Length connecting cable	<b>3.000 mm</b>		
Connector type	<b>Ferrules, GST 18 connector</b>		
Operating voltage	<b>230 V AC</b>		
	<b>±5%, 50 - 80 Hz</b>		
Colour	<b>orange</b>		

Connecting cable for ALU-LINE (UL/CSA), 3000 mm



Part No.	<b>81430</b>	Colour	<b>orange</b>
EAN		Material cable	<b>PVC</b>
Package quantity	<b>1</b>	sheath	
UL Certificate	<b>cURus (in progress)</b>		
Length connecting cable	<b>3.000 mm</b>		
Connector type	<b>Ferrules, GST 18 connector</b>		
Operating voltage	<b>230 V AC</b>		
	<b>±5%, 50 - 60 Hz</b>		

Through-wiring cable for ALU-LINE, 600 mm



Part No.	<b>81331</b>	Material cable	<b>PVC</b>
EAN	<b>4251269332</b>	sheath	
	<b>975</b>		
Package quantity	<b>1</b>		
Length connecting cable	<b>600 mm</b>		
Connector type	<b>GST 18 connector, GST 18 socket</b>		
Operating voltage	<b>230 V AC</b>		
	<b>±5%, 50 - 60 Hz</b>		
Colour	<b>orange</b>		

Through-wiring cable for ALU-LINE (UL/CSA), 600 mm



Part No.	<b>81431</b>	Colour	<b>orange</b>
EAN		Material cable	<b>PVC</b>
Package quantity	<b>1</b>	sheath	
UL Certificate	<b>cURus (in progress)</b>		
Length connecting cable	<b>600 mm</b>		
Connector type	<b>GST 18 connector, GST 18 socket</b>		
Operating voltage	<b>230 V AC ±5%, 50 - 60 Hz</b>		

Through-wiring cable for ALU-LINE, 1000 mm



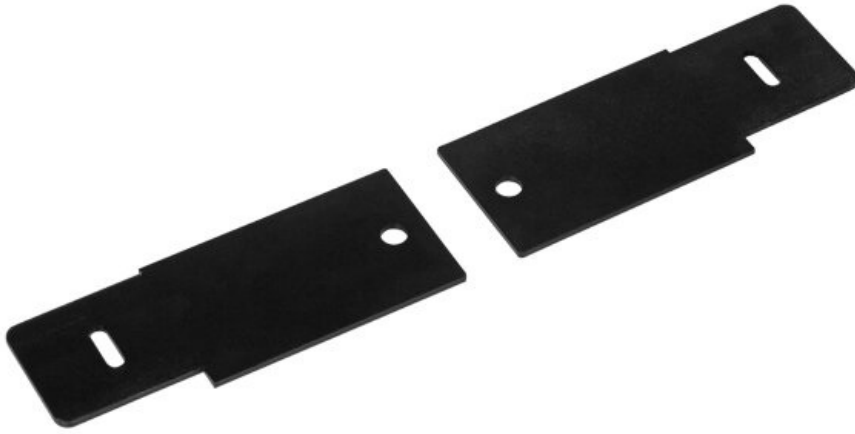
Part No.	<b>81332</b>	Material cable	<b>PVC</b>
EAN	<b>4251269332</b>	sheath	
Package quantity	<b>1</b>		
Length connecting cable	<b>1.000 mm</b>		
Connector type	<b>GST 18 connector, GST 18 socket</b>		
Operating voltage	<b>230 V AC ±5%, 50 - 60 Hz</b>		
Colour	<b>orange</b>		

Through-wiring cable for ALU-LINE (UL/CSA), 1000 mm



Part No.	<b>81432</b>	Colour	<b>orange</b>
EAN		Material cable	<b>PVC</b>
Package quantity	<b>1</b>	sheath	
UL Certificate	<b>cURus (in progress)</b>		
Length connecting cable	<b>1.000 mm</b>		
Connector type	<b>GST 18 connector, GST 18 socket</b>		
Operating voltage	<b>230 V AC ±5%, 50 - 60 Hz</b>		

**Mounting plates 19" rack for ALU-LINE**



Part No.	<b>81337</b>	Diam. of screw <b>7 mm</b>
EAN		holes
Package quantity	<b>2</b>	
Length	<b>111 mm</b>	
Width	<b>43,4 mm</b>	
Colour	<b>black</b>	
No. of screw holes	<b>2</b>	

**Mounting magnet for ALU-LINE**



Part No.	<b>91008</b>	Diam. of screw <b>4,2 mm</b>
EAN		holes
Package quantity	<b>1</b>	
Length	<b>20 mm</b>	
Height	<b>5 mm</b>	
Width	<b>20 mm</b>	
No. of screw holes	<b>1</b>	